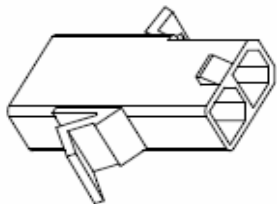


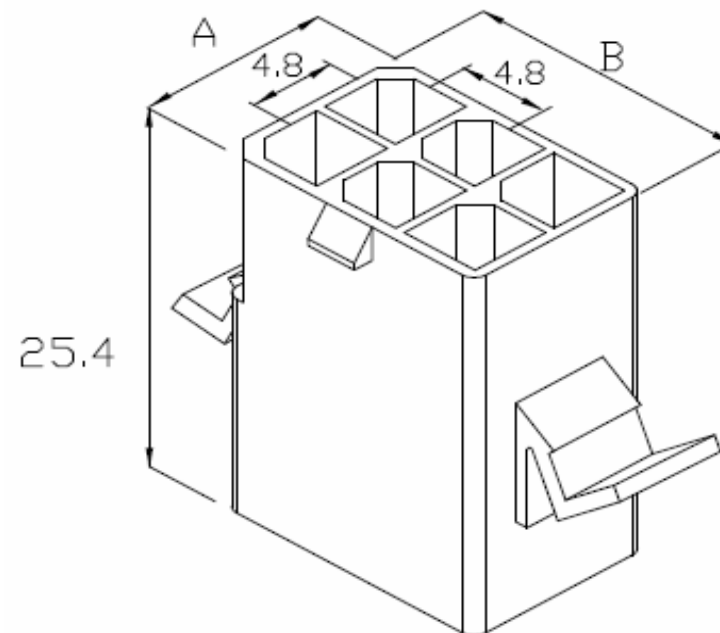
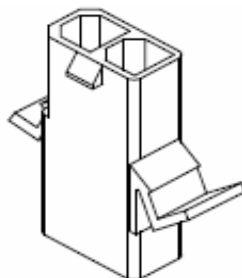
EDCON-COMPONENTS



Technical Discription

Material: Nylon 66 UL94 V-2
No. of Positions: 1x2Pos.
Type of Housing: Plug
Current Rating: 4A AC/DC
Voltage Rating: 250V AC/DC
Temperature Range: -25°C ~ +85°C
Contact Resistance: Initial Value/10mΩ max.
After environmental testing: 20mΩ max.
Insulation Resistance: 500MΩ min.
Withstanding Voltage: 1500V AC/minute
Applicable Wire: AWG18~22

Drawing



| Item-No. | | Dimension (mm) | |
|----------|---------|----------------|------|
| | | A | B |
| T70V003 | 2Pos. | 7,2 | 12 |
| T70V004 | 3Pos. | 7,2 | 16,8 |
| T70V005 | 4Pos. | 7,2 | 21,6 |
| T70V006 | 2x3Pos. | 12,0 | 16,8 |
| T70V007 | 3x3Pos. | 16,8 | 16,8 |
| T70V008 | 3x4Pos. | 16,8 | 21,6 |
| T70V009 | 3x5Pos. | 16,8 | 26,4 |

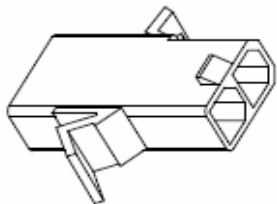
| | |
|--|----------------|
| Wire to Wire Connector Pitch 4,80mm | |
| Part No.: | T70V003 |
| Customer: | |

| | | | | | | | | | |
|-------|--------|------|--------|--------|--------|-----------|-----------|------|------------|
| DRW: | Jason | CHKD | Wilson | MATL: | Wilson | TOLERANCE | Mason | DATE | 30.10.2010 |
| APPD: | Schumi | | | FINISH | Jamy | | Sheet No. | | 1 from 2 |

www.edcon-components.com

email: info@edcon-components.com

EDCON-COMPONENTS



Ordering Informations

| Serie | ROHS | Packing | | | | |
|---------|------|---------|--|--|--|--|
| T70V003 | R | BU | | | | |

| | |
|---------------------|---------------|
| R= ROHS Conform | BU= Bulk-Ware |
| N= NON ROHS Conform | |

| | |
|--|----------------|
| Wire to Wire Connector Pitch 4,80mm | |
| Part No.: | T70V003 |
| Customer: | |

| | | | | | | | | | |
|-------|--------|------|--------|--------|--------|-----------|-----------|------|------------|
| DRW: | Jason | CHKD | Wilson | MATL: | Wilson | TOLERANCE | Mason | DATE | 30.10.2010 |
| APPD: | Schumi | | | FINISH | Jamy | | Sheet No. | | 2 from 2 |