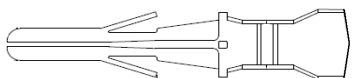


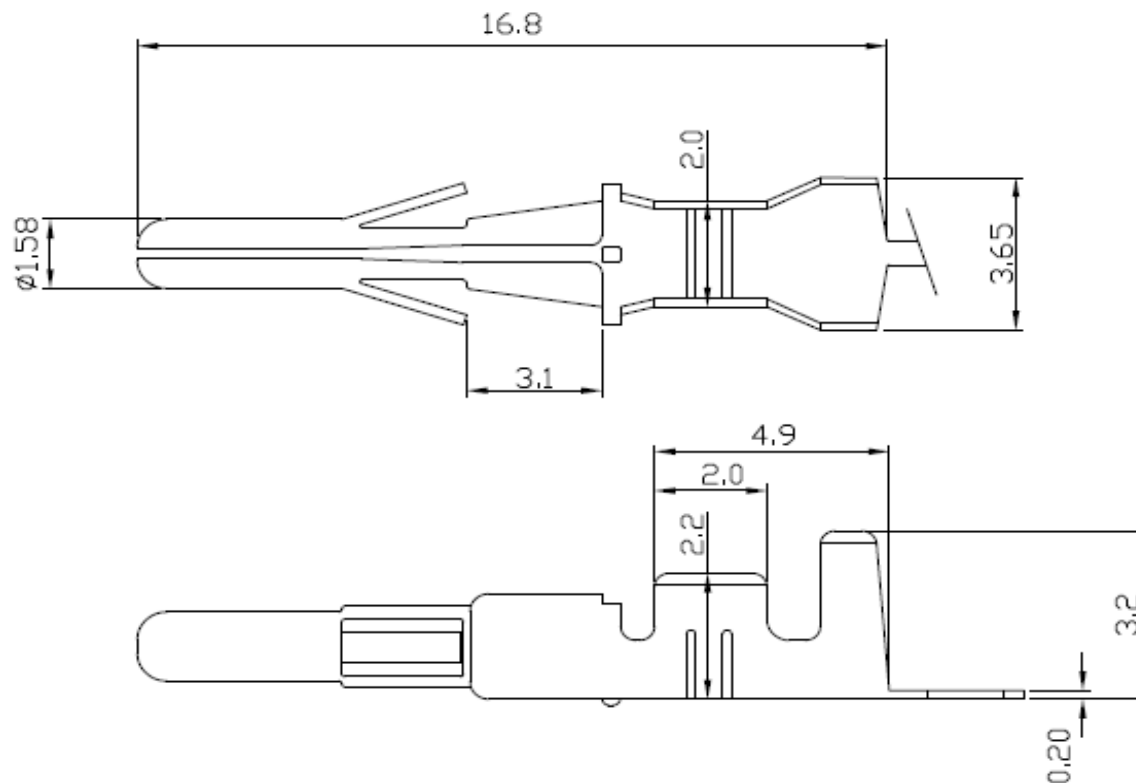
# EDCON-COMPONENTS



## Discription Terminal

**Material:** Brass  
**Thickness:** 0,20mm  
**Wire Range:** AWG18~22  
**Insulation O.D.:** 3,0mm max.  
**Quantity of Reel:** 7000PCS  
**Current Rating:** 4A AC/DC  
**Voltage Rating:** 250 VAC/DC  
**Temperature Range:** . -25°C ~ +85°C  
**Contact Resistance:** Inital Value / 10mΩ max.  
**After environmental Testing** 20mΩ max.  
**Insulation Resistance:** 500MΩ min.  
**Withstanding Voltage:** 1000VAC / minute  
**Contact Plating:** Tin-plated

## Drawing (mm)



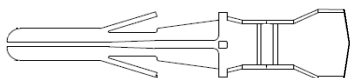
**Male Terminal for 4,80mm Housing**

Part No.: **T70V002**

Customer:

DRW:	Jason	CHKD	Wilson	MATL:	Wilson	TOLERANCE	Mason	DATE	30.10.2010
APPD:	Schumi			FINISH	Jamy		Sheet No.		1 from 2

# EDCON-COMPONENTS



## Ordering Informations

### Terminal

Serie	Wire Size	Contact Material	Contact Plating	ROHS	Packing	
T70V002	A	BR	TN	R	TR	
	A= AWG 22~18	BR= Brass	TN= Tin plated	R= ROHS Conform  N= NON ROHS Conform	TR= Tape / Reel	

**Male Terminal for 4,80mm  
Housing**

Part No.: **T70V002**

Customer:

DRW:	Jason	CHKD	Wilson	MATL:	Wilson	TOLERANCE	Mason	DATE	30.10.2010
APPD:	Schumi			FINISH	Jamy		Sheet No.		2 from 2