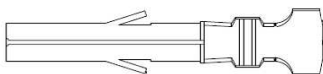


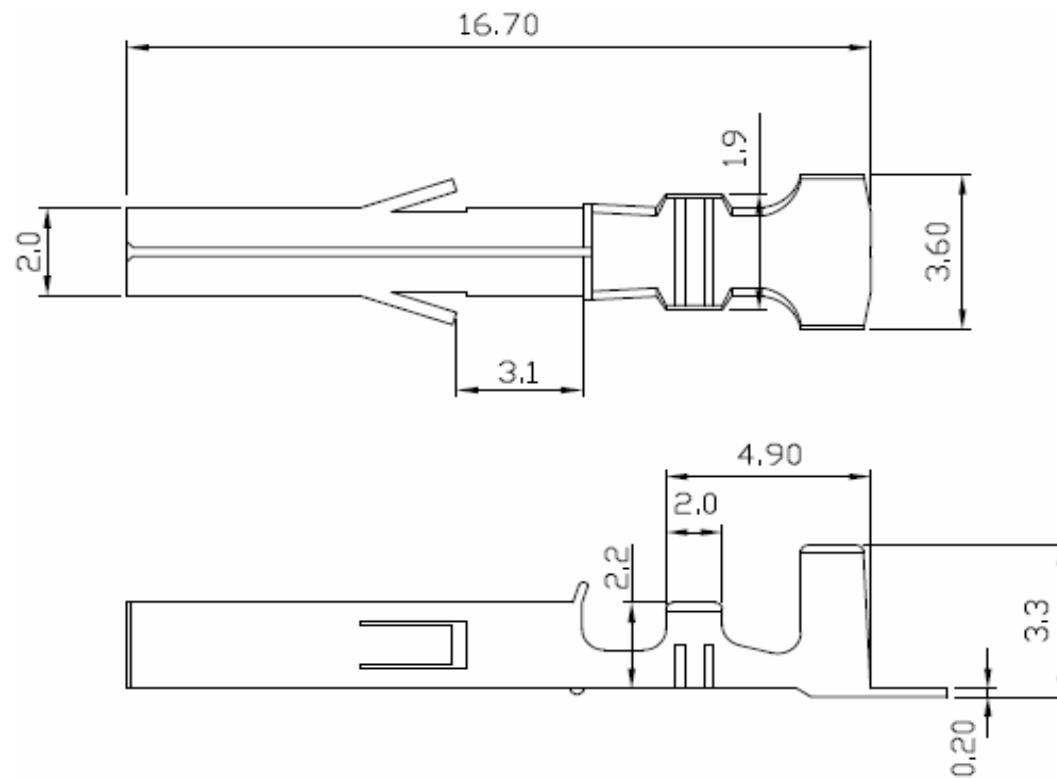
EDCON-COMPONENTS



Discription Terminal

Material: Brass
Thickness: 0,20mm
Wire Range: AWG18~22
Insulation O.D.: 3,0mm max.
Quantity of Reel: 7000PCS
Current Rating: 4A AC/DC
Voltage Rating: 250 VAC/DC
Temperature Range: . -25°C ~ +85°C
Contact Resistance: Initinal Value / 10mΩ max.
After environmental Testing 20mΩ max.
Insulation Resistance: 500MΩ min.
Withstanding Voltage: 1000VAC / minute
Contact Plating: Tin-plated

Drawing (mm)



**Female Terminal for
4,80mm Housing**

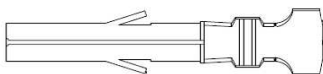
Part No.: **T70V001**

DRW:	Jason	CHKD	Wilson	MATL:	Wilson	TOLERANCE	Mason	DATE	30.10.2010
APPD:	Schumi			FINISH	Jamy		Sheet No.	1 from 2	Customer:

www.edcon-components.com

email: info@edcon-components.com

EDCON-COMPONENTS



Ordering Informations

Terminal

Serie	Wire Size	Contact Material	Contact Plating	ROHS	Packing	
T70V001	A	BR	TN	R	TR	
	A= AWG 22~18	BR= Brass	TN= Tin plated	R= ROHS Conform N= NON ROHS Conform	TR= Tape / Reel	

**Female Terminal for
4,80mm Housing**

Part No.: **T70V001**

DRW:	Jason	CHKD	Wilson	MATL:	Wilson	TOLERANCE	Mason	DATE	30.10.2010
APPD:	Schumi			FINISH	Jamy		Sheet No.		2 from 2

Customer: