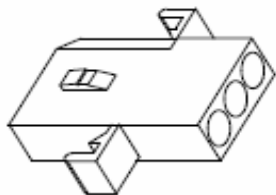


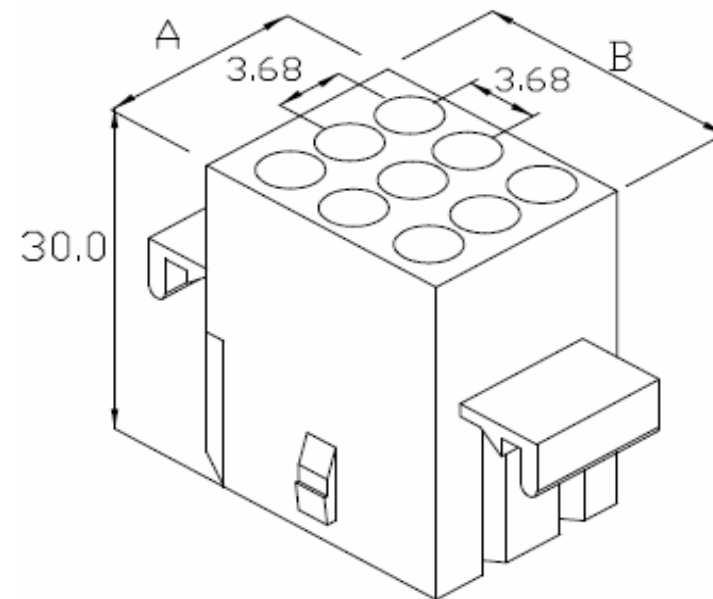
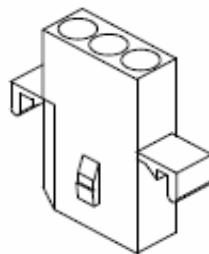
# EDCON-COMPONENTS



## Technical Discription

Material: Nylon 66 UL94 V-2  
 No. of Positions: 1x3Pos.  
 Type of Housing: Receptacle  
 Mates with Terminal:

## Drawing



Item-No.		Dimension (mm)	
		A	B
T70U042	2Pos.	4,9	8,7
T70U043	3Pos.	4,9	12,4
T70U044	4Pos.	4,9	16,1
T70U045	5Pos.	4,9	19,7
T70U046	2x2Pos.	8,6	8,6
T70U047	2x3Pos.	12,5	8,6
T70U048	3x3Pos.	12,7	12,7
T70U049	3x4Pos.	12,7	16,8
T70U050	3x5Pos.	12,7	19,9

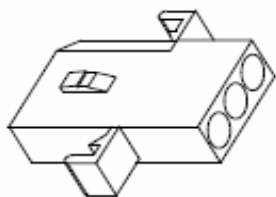
<b>Wire to Wire Connector</b>	
<b>Pitch 3,68mm</b>	
Part No.:	<b>T70U043</b>
Customer:	

DRW:	Jason	CHKD	Wilson	MATL:	Wilson	TOLERANCE	Mason	DATE	30.10.2010
APPD:	Schumi			FINISH	Jamy		Sheet No.		1 from 2

[www.edcon-components.com](http://www.edcon-components.com)

email: [info@edcon-components.com](mailto:info@edcon-components.com)

# EDCON-COMPONENTS



## Ordering Informations

Serie	ROHS	Packing				
-------	------	---------	--	--	--	--

T70U043	-	R	BU			
---------	---	---	----	--	--	--

R= ROHS Conform	BU= Bulk-Ware
N= NON ROHS Conform	

<b>Wire to Wire Connector Pitch 3,68mm</b>	
Part No.:	<b>T70U043</b>
Customer:	

DRW:	Jason	CHKD	Wilson	MATL:	Wilson	TOLERANCE	Mason	DATE	30.10.2010
APPD:	Schumi			FINISH	Jamy		Sheet No.		2 from 2