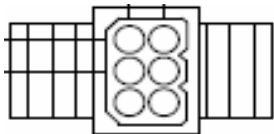


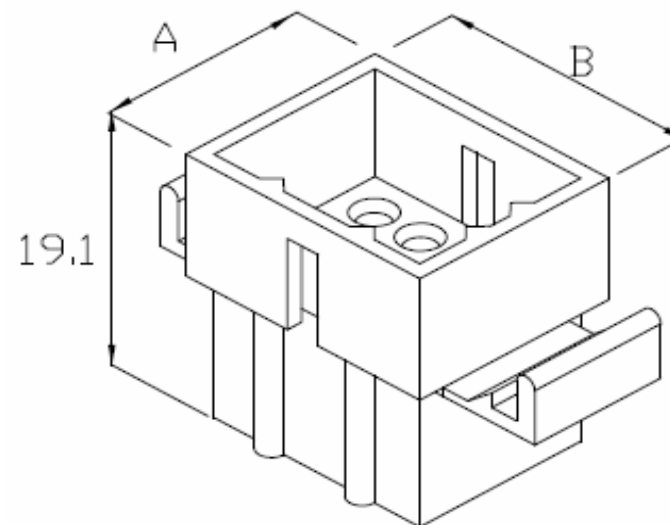
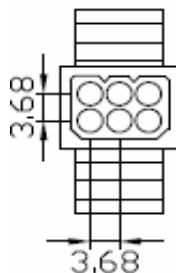
# EDCON-COMPONENTS



## Technical Discription

Material: Nylon 66 UL94 V-2  
 No. of Positions: 2x3Pos.  
 Type of Housing: Plug  
 Mates with Terminal:

## Drawing



Item-No.		Dimension (mm)	
		A	B
T70U018	2Pos.	7,5	11,2
T70U019	3Pos.	7,5	14,9
T70U020	4Pos.	7,5	18,75
T70U021	5Pos.	7,9	22,5
T70U022	2x2Pos.	11,2	11,2
T70U023	2x3Pos.	15,0	11,2
T70U024	3x3Pos.	15,0	14,9
T70U025	3x4Pos.	15,0	18,7
T70U026	3x5Pos.	15,0	22,3

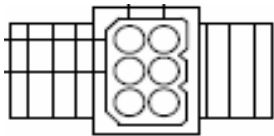
**Wire to Wire Connector**  
**Pitch 3,68mm**

Part No.: **T70U023**

DRW:	Jason	CHKD	Wilson	MATL:	Wilson	TOLERANCE	Mason	DATE	30.10.2010
APPD:	Schumi			FINISH	Jamy		Sheet No.		1 from 2

Customer:  
 email: info@edcon-components.com

# EDCON-COMPONENTS



## Ordering Informations

Serie	ROHS	Packing				
T70U023	R	BU				

R= ROHS Conform	BU= Bulk-Ware
N= NON ROHS Conform	

<b>Wire to Wire Connector Pitch 3,68mm</b>	
Part No.:	<b>T70U023</b>
Customer:	

DRW:	Jason	CHKD	Wilson	MATL:	Wilson	TOLERANCE	Mason	DATE	30.10.2010
APPD:	Schumi			FINISH	Jamy		Sheet No.		2 from 2