

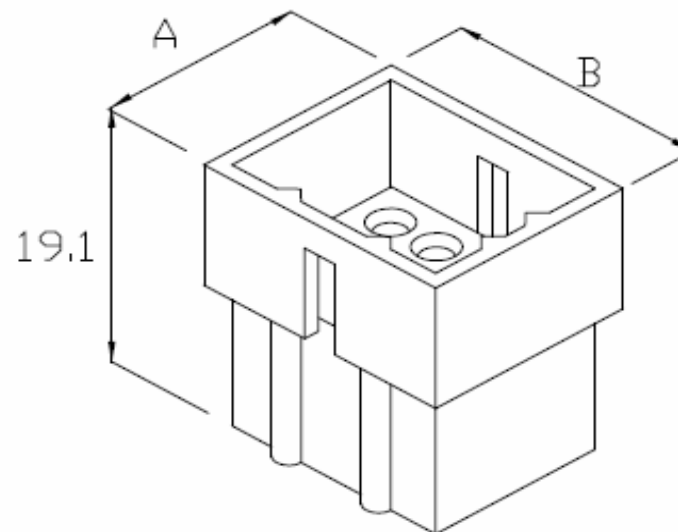
EDCON-COMPONENTS



Technical Discription

Material: Nylon 66 UL94 V-2
 No. of Positions: 1Pos.
 Type of Housing: Plug
 Mates with Terminal:

Drawing



Item-No.		Dimension (mm)	
		A	B
T70U003	1Pos.	Ø 7,6	----
T70U004	2Pos.	7,5	11,2
T70U005	3Pos.	7,5	14,9
T70U006	4Pos.	7,5	18,75
T70U007	5Pos.	7,9	22,5
T70U008	2x2Pos.	11,2	11,2
T70U009	2x3Pos.	15,0	11,2
T70U010	3x3Pos.	15,0	14,9
T70U011	3x4Pos.	15,0	18,7
T70U012	3x5Pos.	15,0	22,3

Wire to Wire Connector
Pitch 3,68mm

Part No.: **T70U003**

DRW:	Jason	CHKD	Wilson	MATL:	Wilson	TOLERANCE	Mason	DATE	30.10.2010
APPD:	Schumi			FINISH	Jamy		Sheet No.		1 from 2

Customer:
 email: info@edcon-components.com

EDCON-COMPONENTS



Ordering Informations

Serie	ROHS	Packing				
-------	------	---------	--	--	--	--

T70U003	-	R	BU			
---------	---	---	----	--	--	--

R= ROHS Conform	BU= Bulk-Ware
N= NON ROHS Conform	

Wire to Wire Connector Pitch 3,68mm	
Part No.:	T70U003
Customer:	

DRW:	Jason	CHKD	Wilson	MATL:	Wilson	TOLERANCE	Mason	DATE	30.10.2010
APPD:	Schumi			FINISH	Jamy		Sheet No.		2 from 2

www.edcon-components.com

email: info@edcon-components.com