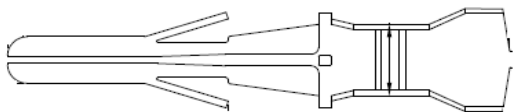


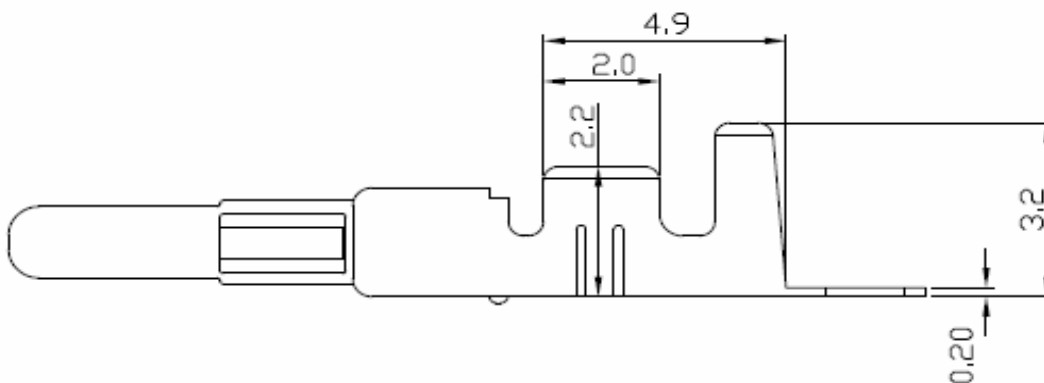
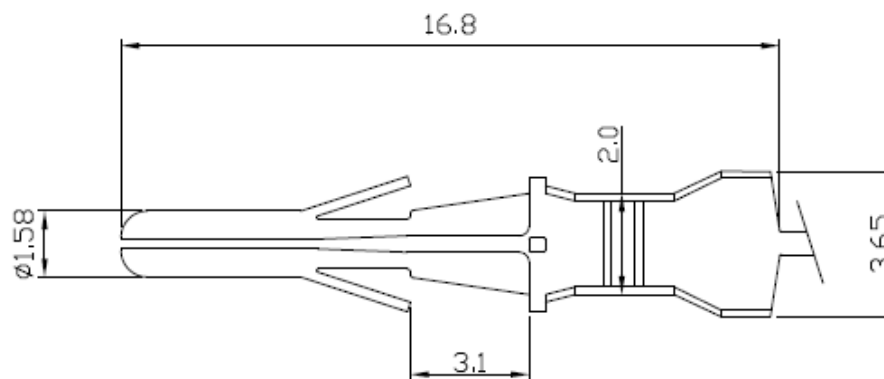
EDCON-COMPONENTS



Discription Terminal

Material: Brass
 Thickness: 0,20mm
 Wire Range: AWG18~22
 Insulation O.D.: max. 3,0mm
 Quantity of Reel: 7000PCS
 Contact Plating: Tin-plated

Drawing (mm)

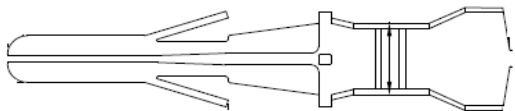


Male Terminal for 3,68mm Housing

Part No.: **T70U002**
 Customer:

DRW:	Jason	CHKD	Wilson	MATL:	Wilson	TOLERANCE	Mason	DATE	30.10.2010
APPD:	Schumi			FINISH	Jamy		Sheet No.	1 from 2	

EDCON-COMPONENTS



Ordering Informations

Terminal

Serie	Wire Size	Contact Material	Contact Plating	ROHS	Packing	
T70U002	A	BR	TN	R	TR	
	A= AWG 22~18	BR= Brass	TN= Tin plated	R= ROHS Conform N= NON ROHS Conform	TR= Tape / Reel	

**Male Terminal for 3,68mm
Housing**

Part No.: **T70U002**

Customer:

DRW:	Jason	CHKD	Wilson	MATL:	Wilson	TOLERANCE	Mason	DATE	30.10.2010
APPD:	Schumi			FINISH	Jamy		Sheet No.		2 from 2