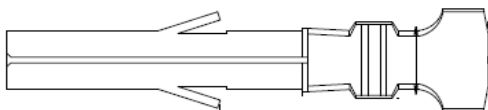


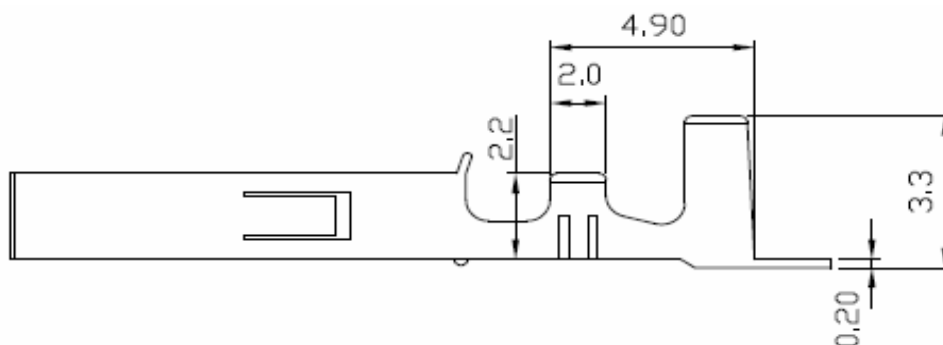
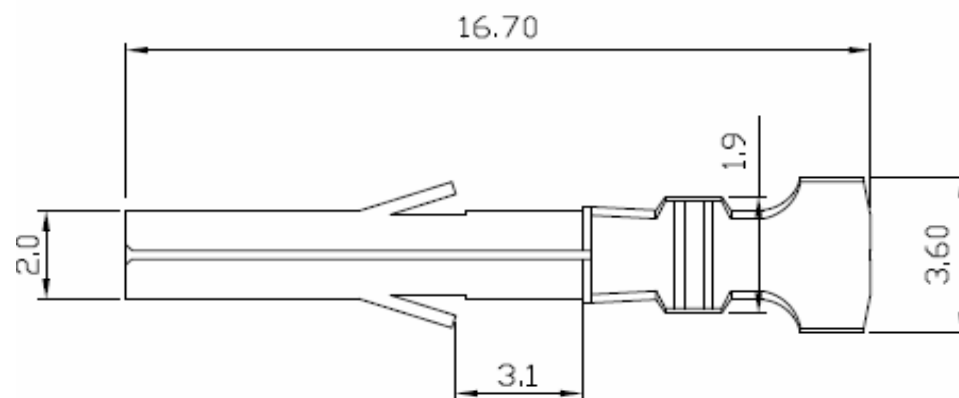
# EDCON-COMPONENTS



## Discription Terminal

Material: Brass  
 Thickness: 0,20mm  
 Wire Range: AWG18~22  
 Insulation O.D.: max. 3,0mm  
 Quantity of Reel: 7000PCS  
 Contact Plating: Tin-plated

## Drawing (mm)



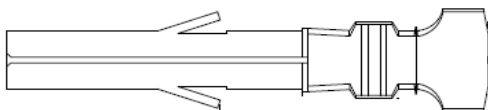
**Female Terminal for  
3,68mm Housing**

Part No.: **T70U001**

Customer:

DRW:	Jason	CHKD	Wilson	MATL:	Wilson	TOLERANCE	Mason	DATE	30.10.2010
APPD:	Schumi			FINISH	Jamy		Sheet No.	1 from 2	

# EDCON-COMPONENTS



## Ordering Informations

### Terminal

Serie	Wire Size	Contact Material	Contact Plating	ROHS	Packing	
T70U001	A	BR	TN	R	TR	
	A= AWG 22~18	BR= Brass	TN= Tin plated	R= ROHS Conform  N= NON ROHS Conform	TR= Tape / Reel	

**Female Terminal for  
3,68mm Housing**

Part No.: **T70U001**

Customer:

DRW:	Jason	CHKD	Wilson	MATL:	Wilson	TOLERANCE	Mason	DATE	30.10.2010
APPD:	Schumi			FINISH	Jamy		Sheet No.		2 from 2