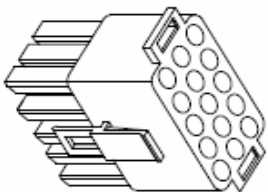


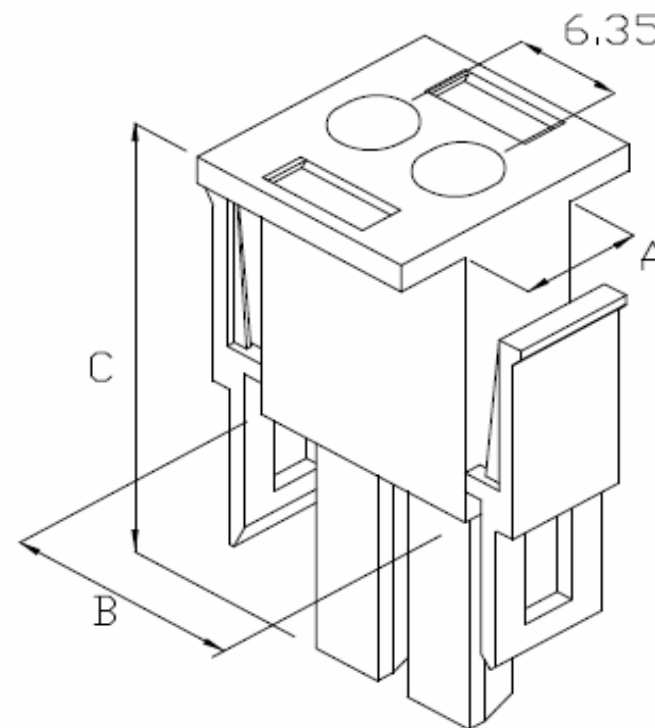
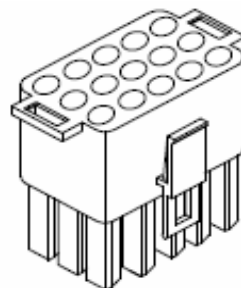
# EDCON-COMPONENTS



## Technical Discription

**Material:** Nylon 66 UL94 V-2  
**No. of Positions:** 3x5Pos.  
**Type of Housing:** Receptacle  
**Current Rating:** 13A AC/DC  
**Voltage Rating:** 250V AC/DC  
**Temperature Range:** -25°C ~ +85°C  
**Contact Resistance:** Initial Value/10mΩ max.  
**After environmental testing:** 20mΩ max.  
**Insulation Resistance:** 1000MΩ min.  
**Withstanding Voltage:** 1500V AC/minute  
**Applicable Wire:** AWG16~20

## Drawing



Item-No.		Dimension (mm)		
		A	B	C
T70S018	1Pos.	7,4	7,4	28,0
T70S019	2Pos.	7,6	14,0	27,4
T70S020	3Pos.	7,6	20,3	27,4
T70S021	4Pos.	7,6	26,6	27,4
T70S022	5Pos.	7,6	33,0	27,4
T70S023	2x3Pos.	20,2	14,0	27,9
T70S024	3x3Pos.	20,2	20,2	27,9
T70S025	3x4Pos.	20,2	26,7	27,9
T70S026	3x5Pos.	20,2	33,0	27,4

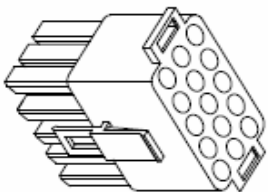
**Wire to Wire Connector  
Pitch 6,35mm**

Part No.: **T70S026**

DRW:	Jason	CHKD	Wilson	MATL:	Wilson	TOLERANCE	Mason	DATE	30.10.2010
APPD:	Schumi			FINISH	Jamy		Sheet No.		1 from 2

Customer:  
email: info@edcon-components.com

# EDCON-COMPONENTS



## Ordering Informations

Serie	ROHS	Packing				
T70S026	R	BU				

R= ROHS Conform	BU= Bulk-Ware
N= NON ROHS Conform	

<b>Wire to Wire Connector Pitch 6,35mm</b>	
Part No.:	<b>T70S026</b>
Customer:	

DRW:	Jason	CHKD	Wilson	MATL:	Wilson	TOLERANCE	Mason	DATE	30.10.2010
APPD:	Schumi			FINISH	Jamy		Sheet No.		2 from 2