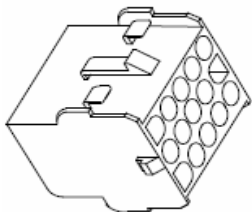


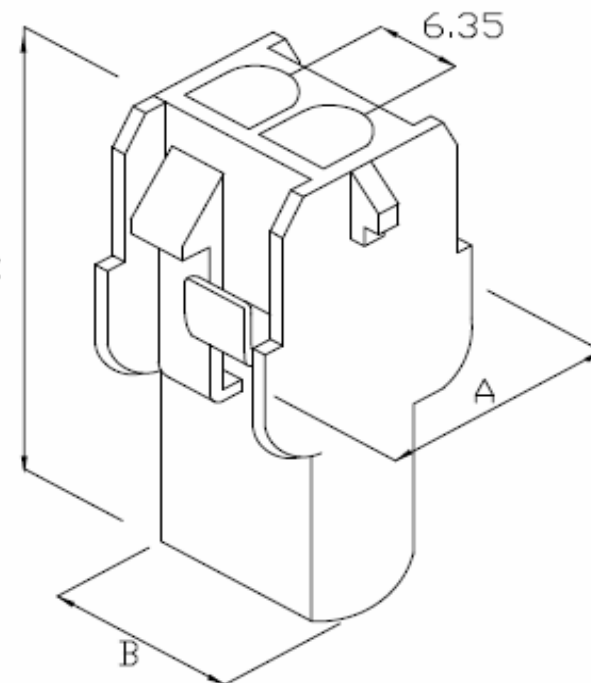
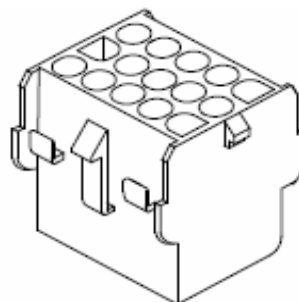
EDCON-COMPONENTS



Technical Discription

Material: Nylon 66 UL94 V-2
No. of Positions: 3x5Pos.
Type of Housing: Plug
Current Rating: 13A AC/DC
Voltage Rating: 250V AC/DC
Temperature Range: -25°C ~ +85°C
Contact Resistance: Initial Value/10mΩ max.
After environmental testing: 20mΩ max.
Insulation Resistance: 1000MΩ min.
Withstanding Voltage: 1500V AC/minute
Applicable Wire: AWG16~20

Drawing

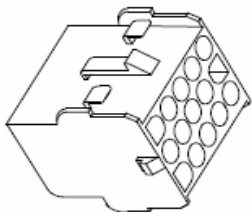


Item-No.		Dimension (mm)		
		A	B	C
T70S003	1Pos.	9,6	7,5	27,7
T70S004	2Pos.	15,7	14,0	27,4
T70S005	3Pos.	15,7	20,3	27,4
T70S006	4Pos.	15,7	26,6	27,4
T70S007	5Pos.	15,7	33,0	27,4
T70S008	2x3Pos.	28,5	14,0	27,4
T70S009	3x3Pos.	28,5	20,3	27,6
T70S010	3x4Pos.	28,5	26,7	27,6
T70S011	3x5Pos.	28,5	33,0	27,6

Wire to Wire Connector Pitch 6,35mm	
Part No.:	T70S011
Customer:	

DRW:	Jason	CHKD	Wilson	MATL:	Wilson	TOLERANCE	Mason	DATE	30.10.2010
APPD:	Schumi			FINISH	Jamy		Sheet No.		1 from 2

EDCON-COMPONENTS



Ordering Informations

Serie	ROHS	Packing				
T70S011	R	BU				

R= ROHS Conform	BU= Bulk-Ware
N= NON ROHS Conform	

Wire to Wire Connector Pitch 6,35mm	
Part No.:	T70S011
Customer:	

DRW:	Jason	CHKD	Wilson	MATL:	Wilson	TOLERANCE	Mason	DATE	30.10.2010
APPD:	Schumi			FINISH	Jamy			Sheet No.	2 from 2