

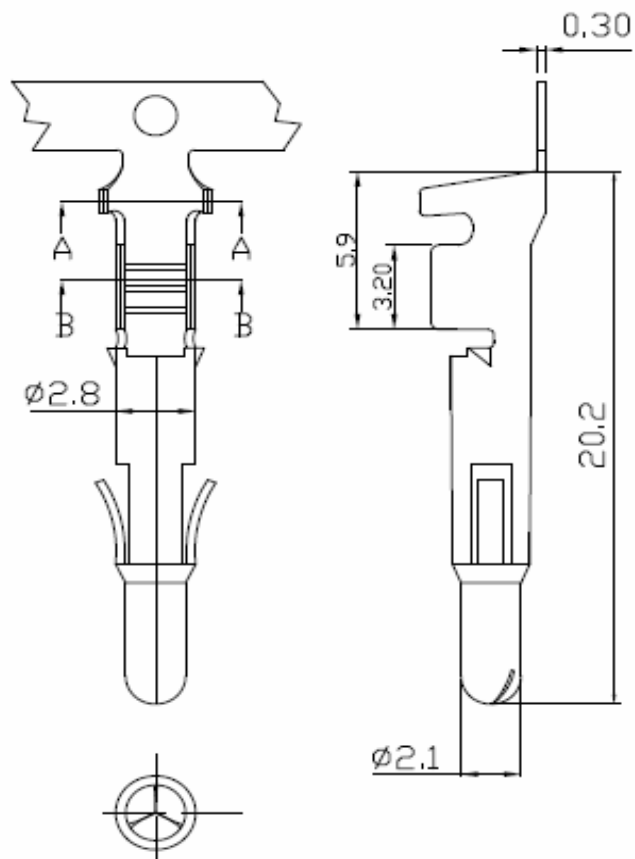
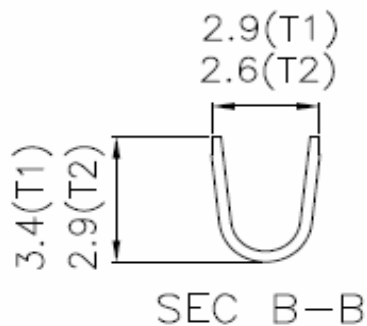
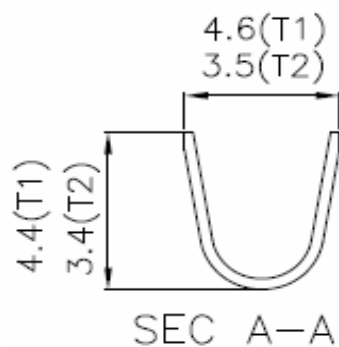
# EDCON-COMPONENTS



## Discription Terminal

**Material:** Phosphor Bronze  
**Thickness:** 0,30mm  
**Wire Range:** AWG16~20  
**Insulation O.D.:** 3,4mm max.  
**Quantity of Reel:** A=4000PCS / B=7000PCS  
**Current Rating:** 13A AC/DC  
**Voltage Rating:** 250 VAC/DC  
**Temperature Range:** -25°C ~ +85°C  
**Contact Resistance:** Initinal Value / 10mΩ max.  
**After environmental Testing** 20mΩ max.  
**Insulation Resistance:** 1000MΩ min.  
**Withstanding Voltage:** 1500VAC / minute  
**Contact Plating:** Tin-plated

## Drawing (mm)



**Male Terminal for 6,35mm Housing**

Part No.: **T70S002**

Customer:

DRW:	Jason	CHKD	Wilson	MATL:	Wilson	TOLERANCE	Mason	DATE	30.10.2010
APPD:	Schumi			FINISH	Jamy		Sheet No.		1 from 2

# EDCON-COMPONENTS



## Ordering Informations

### Terminal

Serie	Wire Size	Contact Material	Contact Plating	ROHS	Packing	
T70S002	A	PB	TN	R	TR	
	<b>A=</b> AWG 20~14	<b>PB=</b> Phosphor Bronze	<b>TN=</b> Tin plated	<b>R=</b> ROHS Conform	<b>TR=</b> Tape / Reel	
	<b>B=</b> AWG 24~18			<b>N=</b> NON ROHS Conform		

**Male Terminal for 6,35mm  
Housing**

Part No.: **T70S002**

Customer:

DRW:	Jason	CHKD	Wilson	MATL:	Wilson	TOLERANCE	Mason	DATE	30.10.2010
APPD:	Schumi			FINISH	Jamy		Sheet No.		2 from 2