

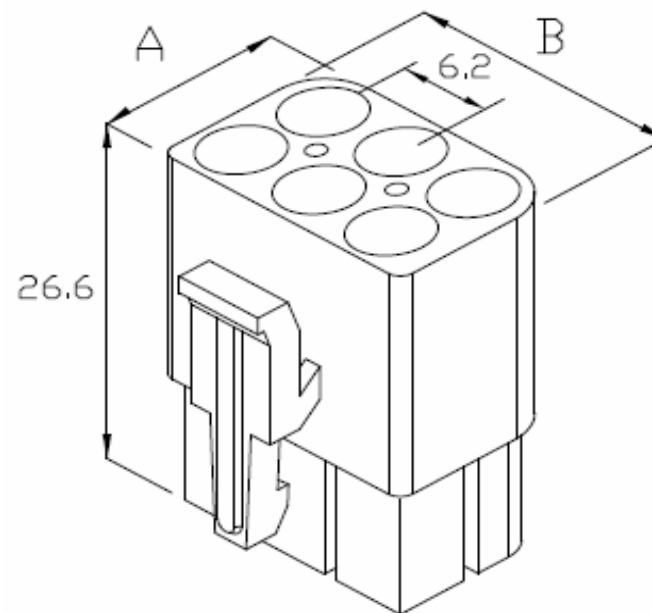
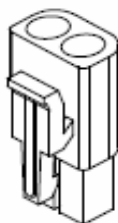
EDCON-COMPONENTS



Technical Discription

Material: Nylon 66 UL94 V-2
No. of Positions: 1x2Pos.
Type of Housing: Receptacle
Current Rating: 2,5A AC/DC
Voltage Rating: 250V AC/DC
Temperature Range: -25°C ~ +85°C
Contact Resistance: Initial Value/10mΩ max.
After environmental testing: 20mΩ max.
Insulation Resistance: 1000MΩ min.
Withstanding Voltage: 1500V AC/minute
Applicable Wire: AWG18~22

Drawing



| Item-No. | | Dimension (mm) | |
|----------|---------|----------------|------|
| | | A | B |
| T70R024 | 1Pos. | 5,7 | 5,7 |
| T70R025 | 2Pos. | 7,2 | 13,4 |
| T70R026 | 3Pos. | 7,2 | 19,6 |
| T70R027 | 4Pos. | 7,2 | 25,8 |
| T70R028 | 2x2Pos. | 13,4 | 13,4 |
| T70R029 | 2x3Pos. | 13,4 | 19,6 |
| T70R030 | 2x4Pos. | 19,6 | 19,6 |
| T70R031 | 3x4Pos. | 19,6 | 25,8 |
| T70R032 | 3x5Pos. | 19,6 | 32,0 |

**Wire to Wire Connector
Pitch 6,20mm**

Part No.: **T70R025**

| | | | | | | | | | |
|-------|--------|------|--------|--------|--------|-----------|-----------|------|------------|
| DRW: | Jason | CHKD | Wilson | MATL: | Wilson | TOLERANCE | Mason | DATE | 30.10.2010 |
| APPD: | Schumi | | | FINISH | Jamy | | Sheet No. | | 1 from 2 |

Customer:
email: info@edcon-components.com

EDCON-COMPONENTS



Ordering Informations

| Serie | ROHS | Packing | | | | |
|---------|------|---------|--|--|--|--|
| T70R025 | R | BU | | | | |

| | |
|---------------------|---------------|
| R= ROHS Conform | BU= Bulk-Ware |
| N= NON ROHS Conform | |

| | |
|--|----------------|
| Wire to Wire Connector Pitch 6,20mm | |
| Part No.: | T70R025 |
| Customer: | |

| | | | | | | | | | |
|-------|--------|------|--------|--------|--------|-----------|-----------|------|------------|
| DRW: | Jason | CHKD | Wilson | MATL: | Wilson | TOLERANCE | Mason | DATE | 30.10.2010 |
| APPD: | Schumi | | | FINISH | Jamy | | Sheet No. | | 2 from 2 |