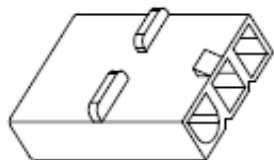


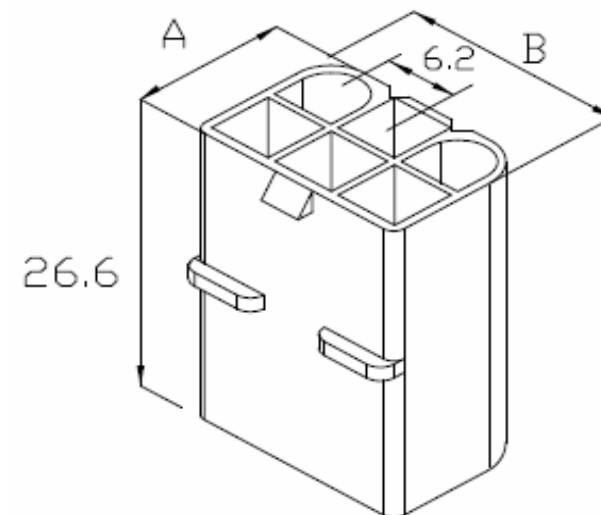
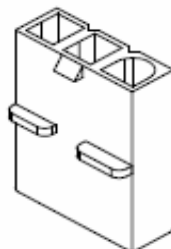
# EDCON-COMPONENTS



## Technical Discription

**Material:** Nylon 66 UL94 V-2  
**No. of Positions:** 1x3Pos.  
**Type of Housing:** Plug  
**Current Rating:** 2,5A AC/DC  
**Voltage Rating:** 250V AC/DC  
**Temperature Range:** -25°C ~ +85°C  
**Contact Resistance:** Initial Value/10mΩ max.  
**After environmental testing:** 20mΩ max.  
**Insulation Resistance:** 1000MΩ min.  
**Withstanding Voltage:** 1500V AC/minute  
**Applicable Wire:** AWG18~22

## Drawing



| Item-No. |         | Dimension (mm) |      |
|----------|---------|----------------|------|
|          |         | A              | B    |
| T70R003  | 1Pos.   | 7,0            | 7,0  |
| T70R004  | 2Pos.   | 7,2            | 14,0 |
| T70R005  | 3Pos.   | 7,2            | 20,3 |
| T70R006  | 4Pos.   | 7,2            | 26,6 |
| T70R007  | 2x2Pos. | 13,4           | 33,0 |
| T70R008  | 2x3Pos. | 13,4           | 19,6 |
| T70R009  | 2x4Pos. | 19,6           | 19,6 |
| T70R010  | 3x4Pos. | 19,6           | 25,8 |
| T70R011  | 3x5Pos. | 19,6           | 32,0 |

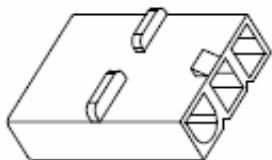
**Wire to Wire Connector  
Pitch 6,20mm**

Part No.: **T70R005**

|       |        |      |        |        |        |           |           |      |            |
|-------|--------|------|--------|--------|--------|-----------|-----------|------|------------|
| DRW:  | Jason  | CHKD | Wilson | MATL:  | Wilson | TOLERANCE | Mason     | DATE | 30.10.2010 |
| APPD: | Schumi |      |        | FINISH | Jamy   |           | Sheet No. |      | 1 from 2   |

Customer:  
email: info@edcon-components.com

# EDCON-COMPONENTS



## Ordering Informations

| Serie | ROHS | Packing |  |  |  |  |
|-------|------|---------|--|--|--|--|
|-------|------|---------|--|--|--|--|

|         |   |   |    |  |  |  |
|---------|---|---|----|--|--|--|
| T70R005 | - | R | BU |  |  |  |
|---------|---|---|----|--|--|--|

|                     |               |
|---------------------|---------------|
| R= ROHS Conform     | BU= Bulk-Ware |
| N= NON ROHS Conform |               |

|  |                |
|--|----------------|
| <b>Wire to Wire Connector<br/>Pitch 6,20mm</b> |                |
| Part No.:                                      | <b>T70R005</b> |
| Customer:                                      |                |

|       |        |      |        |        |        |           |           |      |            |
|-------|--------|------|--------|--------|--------|-----------|-----------|------|------------|
| DRW:  | Jason  | CHKD | Wilson | MATL:  | Wilson | TOLERANCE | Mason     | DATE | 30.10.2010 |
| APPD: | Schumi |      |        | FINISH | Jamy   |           | Sheet No. |      | 2 from 2   |

[www.edcon-components.com](http://www.edcon-components.com)

email: [info@edcon-components.com](mailto:info@edcon-components.com)