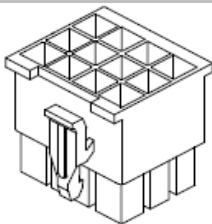


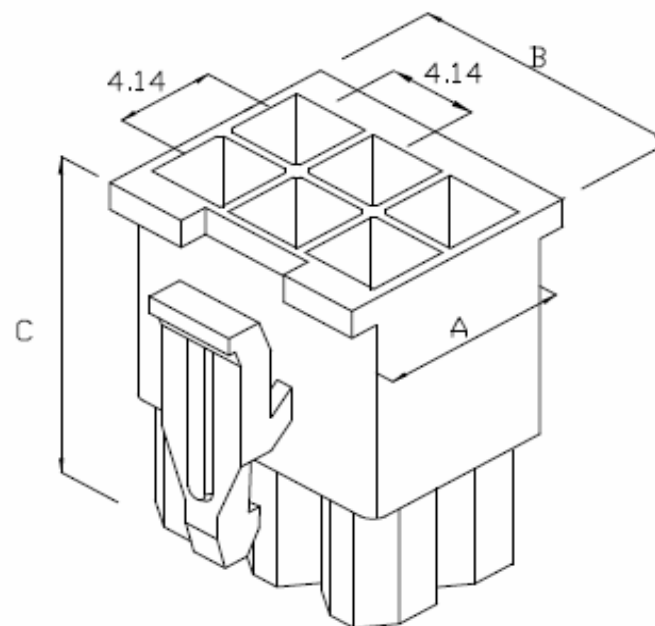
# EDCON-COMPONENTS



## Technical Discription

Material: Nylon 66 UL94 V-2  
 Mates with Terminal: T70L009 + T70L018  
 No. of Positions: 3x4Pos.  
 Type of Housing: Receptacle

## Drawing

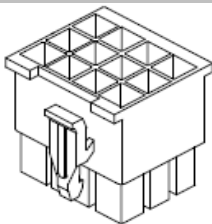


Item-No.		Dimension (mm)		
		A	B	C
T70L024	1Pos.	5,6	5,6	24,0
T70L025	2Pos.	9,8	5,6	24,0
T70L026	3Pos.	14,0	5,6	24,0
T70L027	2x2Pos	9,8	9,8	24,0
T70L028	2x3Pos	9,8	14,0	24,0
T70L029	3x3Pos.	14,0	14,0	24,0
T70L030	3x4Pos.	14,0	18,5	24,0
T70L031	3x5Pos.	14,0	23	24,0

<b>Wire to Wire Connector Pitch 4,14mm</b>	
Part No.:	<b>T70L030</b>
Customer:	

DRW:	Jason	CHKD	Wilson	MATL:	Wilson	TOLERANCE	Mason	DATE	30.10.2010
APPD:	Schumi			FINISH	Jamy		Sheet No.		1 from 2

# EDCON-COMPONENTS



## Ordering Informations

Serie	ROHS	Packing				
-------	------	---------	--	--	--	--

T70L030	R	BU				
---------	---	----	--	--	--	--

R= ROHS Conform	BU= Bulk-Ware
N= NON ROHS Conform	

<b>Wire to Wire Connector Pitch 4,14mm</b>	
Part No.:	<b>T70L030</b>
Customer:	

DRW:	Jason	CHKD	Wilson	MATL:	Wilson	TOLERANCE	Mason	DATE	30.10.2010
APPD:	Schumi			FINISH	Jamy		Sheet No.		2 from 2