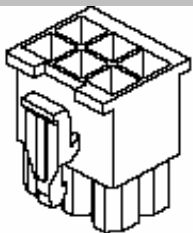


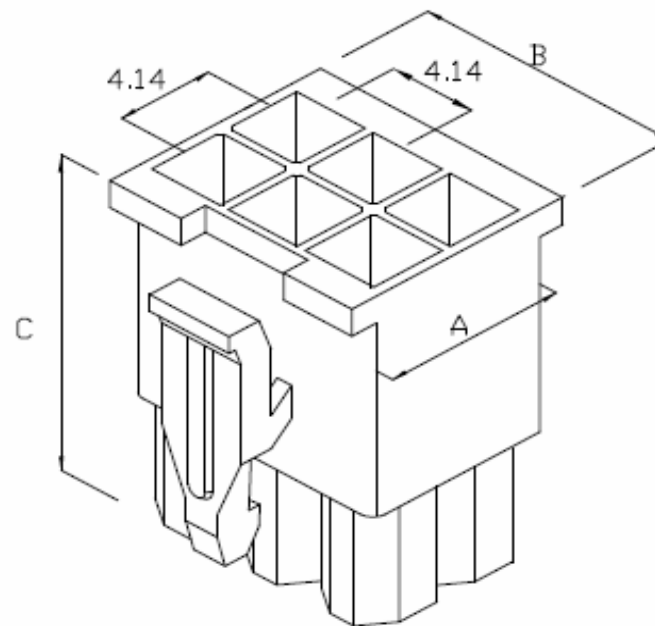
# EDCON-COMPONENTS



## Technical Discription

Material: Nylon 66 UL94 V-2  
 Mates with Terminal: T70L007 + T70L016  
 No. of Positions: 3x3Pos.  
 Type of Housing: Receptacle

## Drawing



| Item-No. |         | Dimension (mm) |      |      |
|----------|---------|----------------|------|------|
|          |         | A              | B    | C    |
| T70L024  | 1Pos.   | 5,6            | 5,6  | 24,0 |
| T70L025  | 2Pos.   | 9,8            | 5,6  | 24,0 |
| T70L026  | 3Pos.   | 14,0           | 5,6  | 24,0 |
| T70L027  | 2x2Pos  | 9,8            | 9,8  | 24,0 |
| T70L028  | 2x3Pos  | 9,8            | 14,0 | 24,0 |
| T70L029  | 3x3Pos. | 14,0           | 14,0 | 24,0 |
| T70L030  | 3x4Pos. | 14,0           | 18,5 | 24,0 |
| T70L031  | 3x5Pos. | 14,0           | 23   | 24,0 |

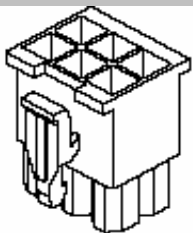
**Wire to Wire Connector  
Pitch 4,14mm**

Part No.: **T70L028**

|       |        |      |        |        |        |           |           |          |            |
|-------|--------|------|--------|--------|--------|-----------|-----------|----------|------------|
| DRW:  | Jason  | CHKD | Wilson | MATL:  | Wilson | TOLERANCE | Mason     | DATE     | 30.10.2010 |
| APPD: | Schumi |      |        | FINISH | Jamy   |           | Sheet No. | 1 from 2 |            |

Customer:

# EDCON-COMPONENTS



## Ordering Informations

| Serie   | ROHS | Packing |  |  |  |  |
|---------|------|---------|--|--|--|--|
| T70L028 | R    | BU      |  |  |  |  |

|                     |               |
|---------------------|---------------|
| R= ROHS Conform     | BU= Bulk-Ware |
| N= NON ROHS Conform |               |

|  |                |
|--|----------------|
| <b>Wire to Wire Connector<br/>Pitch 4,14mm</b> |                |
| Part No.:                                      | <b>T70L028</b> |
| Customer:                                      |                |

|       |        |      |        |        |        |           |           |      |            |
|-------|--------|------|--------|--------|--------|-----------|-----------|------|------------|
| DRW:  | Jason  | CHKD | Wilson | MATL:  | Wilson | TOLERANCE | Mason     | DATE | 30.10.2010 |
| APPD: | Schumi |      |        | FINISH | Jamy   |           | Sheet No. |      | 2 from 2   |