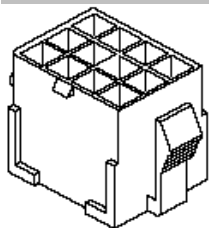


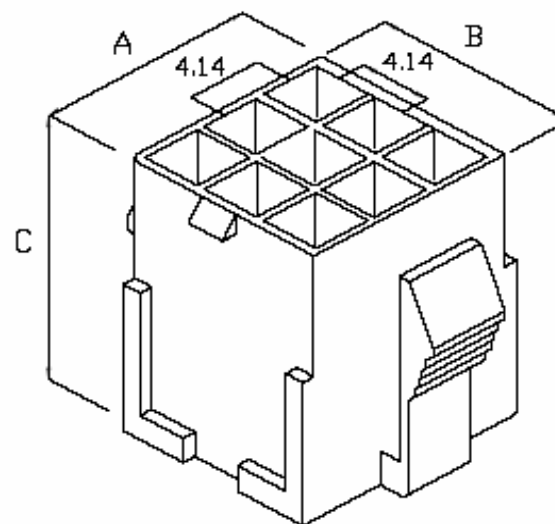
# EDCON-COMPONENTS



## Technical Discription

Material: Nylon 66 UL94 V-2  
 Mates with Terminal: T70L030  
 No. of Positions: 3x4Pos.  
 Type of Housing: Plug

## Drawing



Item-No.		Dimension (mm)		
		A	B	C
T70L012	1Pos.	5,6	5,6	24,0
T70L013	2Pos.	9,8	5,6	24,0
T70L014	3Pos.	14,0	5,6	24,0
T70L015	2x2Pos	9,8	9,8	24,0
T70L016	2x3Pos	9,8	14,0	24,0
T70L017	3x3Pos.	14,0	14,0	24,0
T70L018	3x4Pos.	14,0	18,5	24,0
T70L019	3x5Pos.	14,0	22,5	24,0

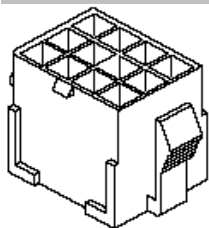
**Wire to Wire Connector  
Pitch 4,14mm**

Part No.: **T70L018**

DRW:	Jason	CHKD	Wilson	MATL:	Wilson	TOLERANCE	Mason	DATE	30.10.2010
APPD:	Schumi			FINISH	Jamy		Sheet No.		1 from 2

Customer:  
email: info@edcon-components.com

# EDCON-COMPONENTS



## Ordering Informations

Serie	ROHS	Packing				
T70L018	R	BU				

R= ROHS Conform	BU= Bulk-Ware
N= NON ROHS Conform	

<b>Wire to Wire Connector Pitch 4,14mm</b>	
Part No.:	<b>T70L018</b>
Customer:	

DRW:	Jason	CHKD	Wilson	MATL:	Wilson	TOLERANCE	Mason	DATE	30.10.2010
APPD:	Schumi			FINISH	Jamy		Sheet No.		2 from 2