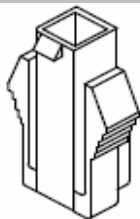


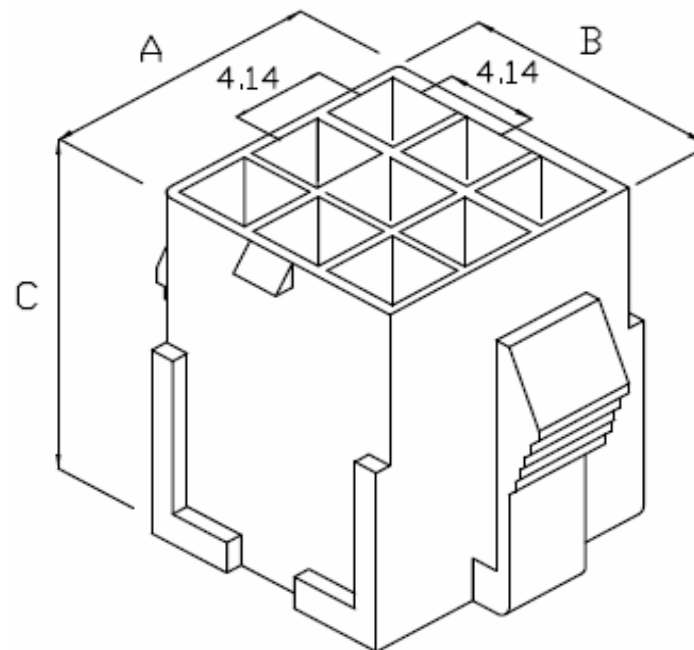
EDCON-COMPONENTS



Technical Discription

Material: Nylon 66 UL94 V-2
 Mates with Terminal: T70L024
 No. of Positions: 1x1Pos.
 Type of Housing: Plug

Drawing



Item-No.		Dimension (mm)		
		A	B	C
T70L003	1Pos.	5,6	5,6	24,0
T70L004	2Pos.	9,8	5,6	24,0
T70L005	3Pos.	14,0	5,6	24,0
T70L006	2x2Pos	9,8	9,8	24,0
T70L007	2x3Pos	9,8	14,0	24,0
T70L008	3x3Pos.	14,0	14,0	24,0
T70L009	3x4Pos.	14,0	18,5	24,0
T70L010	3x5Pos.	14,0	22,5	24,0

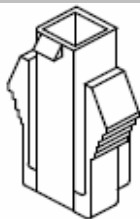
**Wire to Wire Connector
Pitch 4,14mm**

Part No.: **T70L012**

DRW:	Jason	CHKD	Wilson	MATL:	Wilson	TOLERANCE	Mason	DATE	30.10.2010
APPD:	Schumi			FINISH	Jamy		Sheet No.	1 from 2	

Customer:
email: info@edcon-components.com

EDCON-COMPONENTS



Ordering Informations

Serie	ROHS	Packing				
T70L012	R	BU				

R= ROHS Conform	BU= Bulk-Ware
N= NON ROHS Conform	

Wire to Wire Connector Pitch 4,14mm	
Part No.:	T70L012
Customer:	

DRW:	Jason	CHKD	Wilson	MATL:	Wilson	TOLERANCE	Mason	DATE	30.10.2010
APPD:	Schumi			FINISH	Jamy			Sheet No.	2 from 2