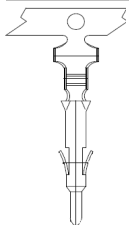


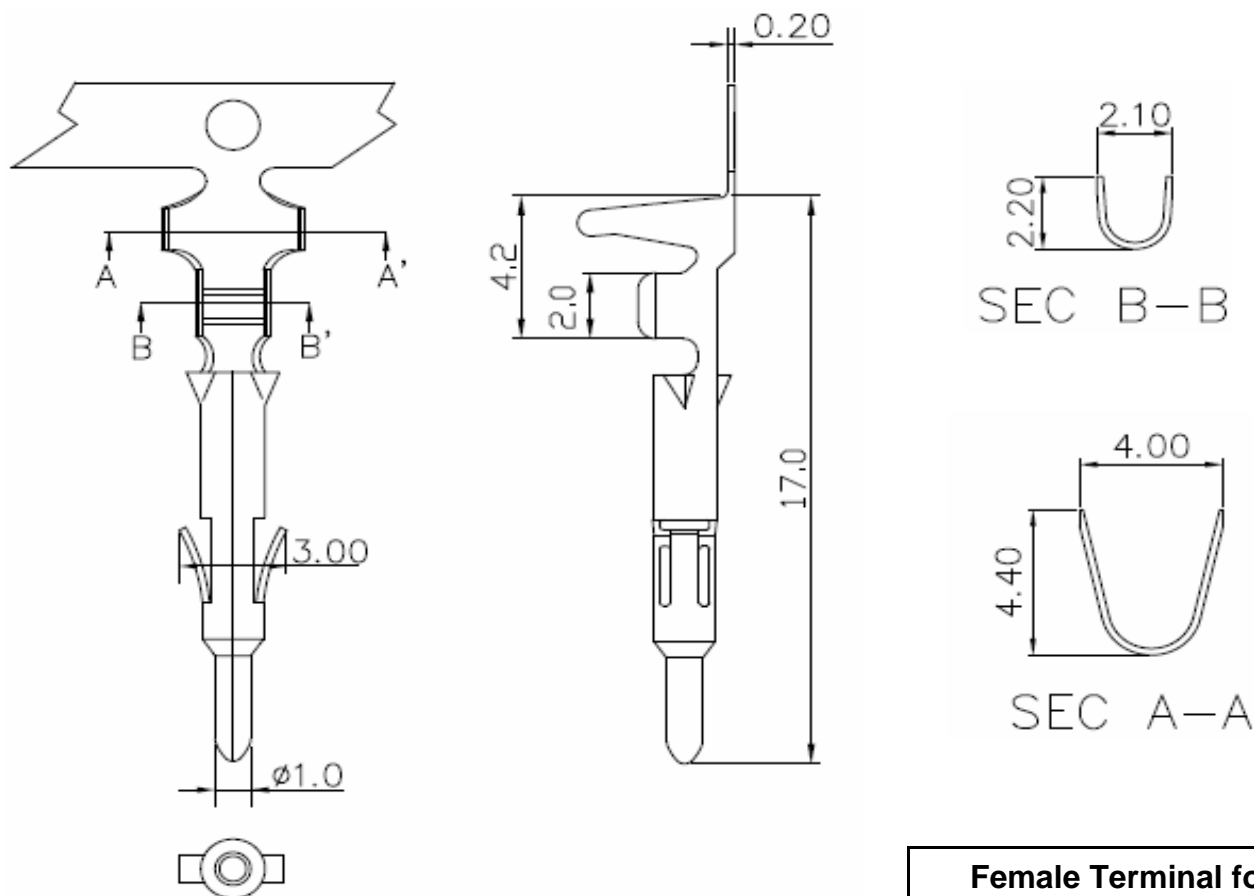
# EDCON-COMPONENTS



## Discription Terminal

Material: Bronze  
 Thickness: 0,20mm  
 Wire Range: AWG18~24  
 Insulation O.D.: 1,6~3,0mm  
 Quantity of Reel: 4000PCS  
 Contact Plating: Tin-Plated

## Drawing (mm)



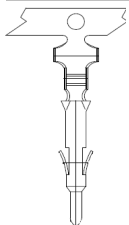
<b>Female Terminal for 4,14mm Housing</b>
Part No.:
Customer:

DRW:	Jason	CHKD	Wilson	MATL:	Wilson	TOLERANCE	Mason	DATE	30.10.2010
APPD:	Schumi			FINISH	Jamy		Sheet No.	1 from 2	

[www.edcon-components.com](http://www.edcon-components.com)

email: info@edcon-components.com

# EDCON-COMPONENTS



## Ordering Informations

### Terminal

Serie	Wire Size	Contact Material	Contact Plating	ROHS	Packing	
T70L002	A	PB	TN	R	TR	
	A= AWG 24~18	PB= Phosphor Bronze	TN= Tin plated	R= ROHS Conform  N= NON ROHS Conform	TR= Tape / Reel	

**Female Terminal for  
4,14mm Housing**

Part No.: **T70L002**

Customer:

DRW:	Jason	CHKD	Wilson	MATL:	Wilson	TOLERANCE	Mason	DATE	30.10.2010
APPD:	Schumi			FINISH	Jamy		Sheet No.		2 from 2