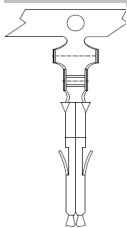


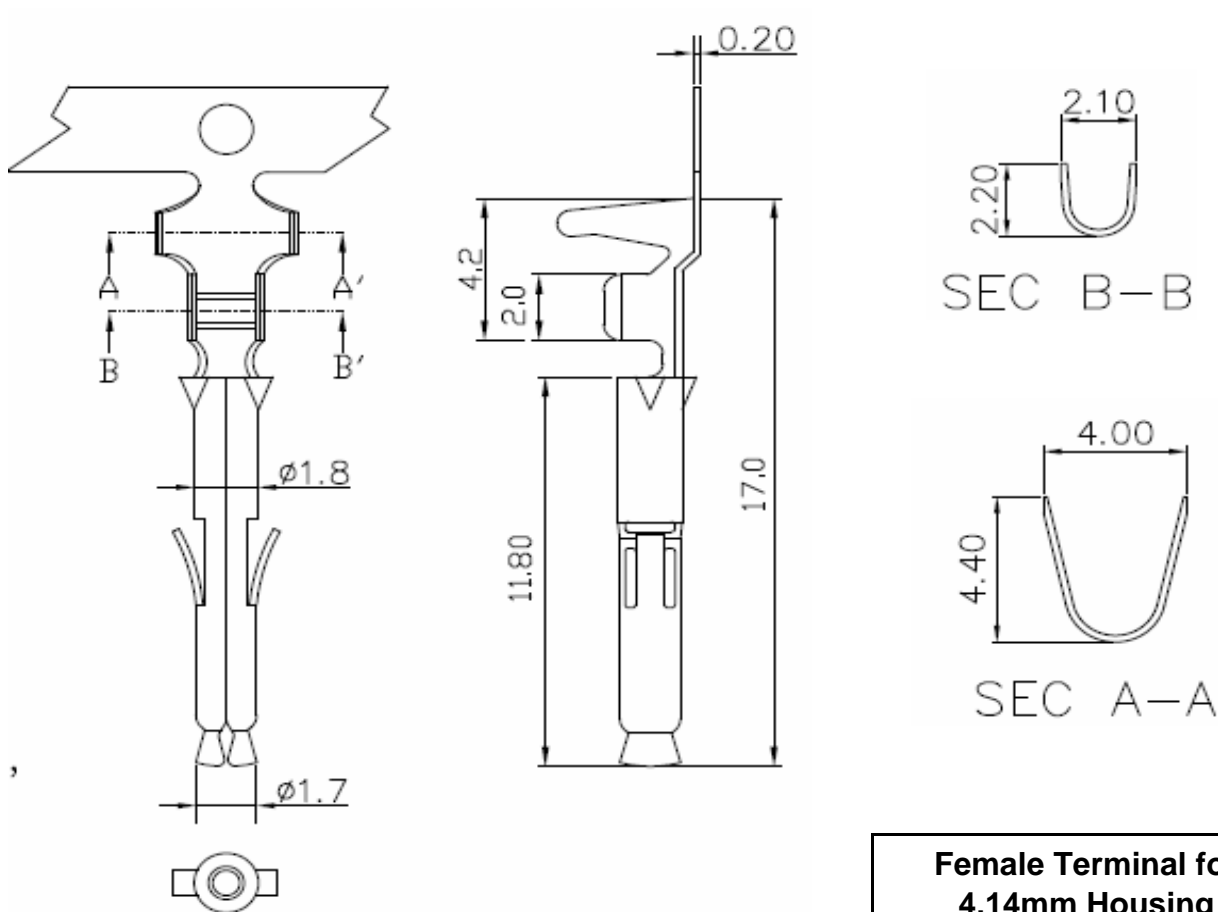
EDCON-COMPONENTS



Discription Terminal

Material: Phosphor Bronze
 Thickness: 0,20mm
 Wire Range: AWG18~24
 Insulation O.D.: 1,6~3,0mm
 Quantity of Reel: 4000PCS
 Contact Plating: Tin-plated

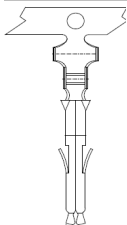
Drawing (mm)



Female Terminal for 4,14mm Housing	
Part No.:	T70L001
Customer:	

DRW:	Jason	CHKD	Wilson	MATL:	Wilson	TOLERANCE	Mason	DATE	30.10.2010
APPD:	Schumi			FINISH	Jamy		Sheet No.	1 from 2	

EDCON-COMPONENTS



Ordering Informations

Terminal

Serie	Wire Size	Contact Material	Contact Plating	ROHS	Packing	
T70L001	A	PB	TN	R	TR	
	A= AWG 24~18	PB= Phosphor Bronze	TN= Tin plated	R= ROHS Conform N= NON ROHS Conform	TR= Tape / Reel	

**Female Terminal for
4,14mm Housing**

Part No.: **T70L001**

Customer:

DRW:	Jason	CHKD	Wilson	MATL:	Wilson	TOLERANCE	Mason	DATE	30.10.2010
APPD:	Schumi			FINISH	Jamy		Sheet No.		2 from 2