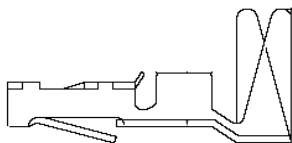


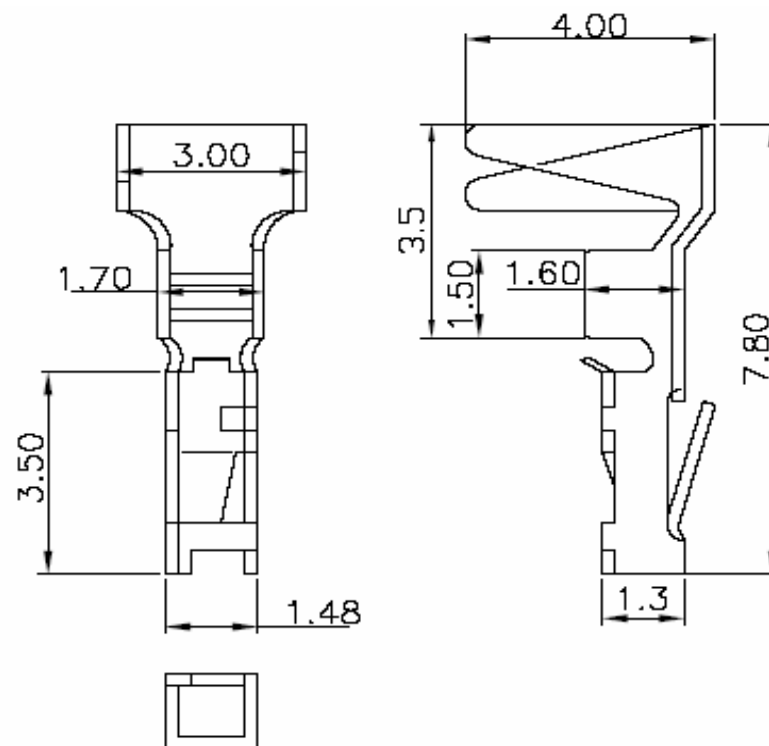
EDCON-COMPONENTS



Discription Terminal

Material: Phosphor Bronze tin plated
Thickness: 0,20mm
Wire Range: AWG28~22
Insulation O.D.: 1,70mm max.
Quantity of Reel: 5000PCS
Current Rating: 3A AC/DC
Voltage Rating: 250 VAC/DC
Temperature Range: . -25°C ~ +85°C
Contact Resistance: Initinal Value / 10mΩ max.
After environmental Testing 20mΩ max.
Insulation Resistance: 500MΩ min.
Withstanding Voltage: 1000VAC / minute

Drawing (mm)



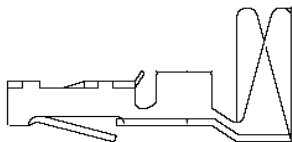
**Female Terminal for
4,00mm Housing**

Part No.:

Customer:

DRW:	Jason	CHKD	Wilson	MATL:	Wilson	TOLERANCE	Mason	DATE	30.10.2010
APPD:	Schumi			FINISH	Jamy		Sheet No.	1 from 2	

EDCON-COMPONENTS



Ordering Informations

Terminal

Serie	Wire Size	ROHS	Packing			
T70K048	A	R	TR			

A= AWG 22~18	R= ROHS Conform	TR= Tape / Reel
	N= NON ROHS Conform	

**Female Terminal for
4,00mm Housing**

Part No.: **T70K048**

DRW:	Jason	CHKD	Wilson	MATL:	Wilson	TOLERANCE	Mason	DATE	30.10.2010
APPD:	Schumi			FINISH	Jamy		Sheet No.		2 from 2

Customer: