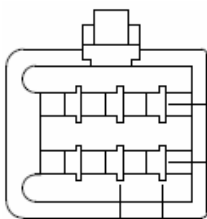


# EDCON-COMPONENTS

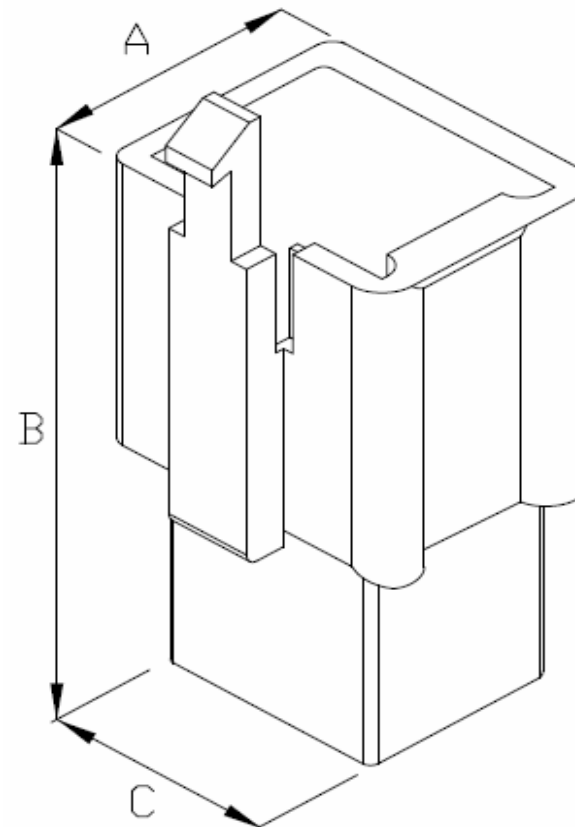
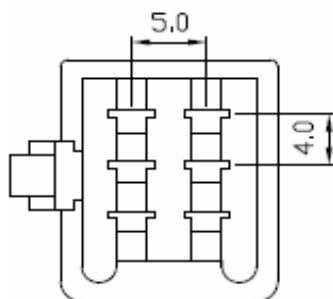


## Technical Discription

Material: Nylon 66 UL94V-2  
 Number of Position: 2x3Pos.  
 Key-Code:

Current Rating: 3A AC/DC  
 Voltage Rating: 250 VAC/DC  
 Temperature Range: -25°C ~ +85°C  
 Contact Resistance: Initial Value / 10mΩ max.  
 After environmental Testing: 20mΩ max.  
 Insulation Resistance: 500MΩ min.  
 Withstanding Voltage: 1000VAC / minute

## Drawing

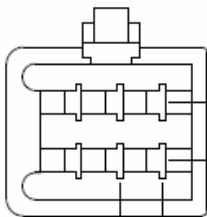


Item-No.		Dimension (mm)		
		A	B	C
T70K042	1x2Pos.	9,3	30,0	9,2
T70K043	1x3Pos.	9,3	30,0	13,2
T70K044	2x2Pos.	14,5	30,0	9,2
T70K045	2x3Pos.	14,5	30,0	13,2
T70K046	2x4Pos.	19,4	30,0	13,2

<b>Wire to Wire Connector</b>	
<b>Pitch 4,00mm</b>	
Part No.:	<b>T70K045</b>
Customer:	

DRW:	Jason	CHKD	Wilson	MATL:	Wilson	TOLERANCE	Mason	DATE	30.10.2010
APPD:	Schumi			FINISH	Jamy		Sheet No.		1 from 2

# EDCON-COMPONENTS



## Ordering Informations

Serie	ROHS	Packing				
-------	------	---------	--	--	--	--

T70K045	-	R	BU			
---------	---	---	----	--	--	--

R= ROHS Conform	BU= Bulk-Ware
N= NON ROHS Conform	

<b>Wire to Wire Connector Pitch 4,00mm</b>	
Part No.:	<b>T70K045</b>
Customer:	

DRW:	Jason	CHKD	Wilson	MATL:	Wilson	TOLERANCE	Mason	DATE	30.10.2010
APPD:	Schumi			FINISH	Jamy		Sheet No.		2 from 2

[www.edcon-components.com](http://www.edcon-components.com)

email: [info@edcon-components.com](mailto:info@edcon-components.com)