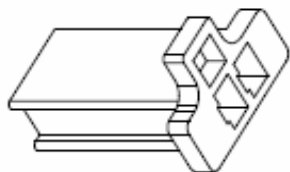


# EDCON-COMPONENTS

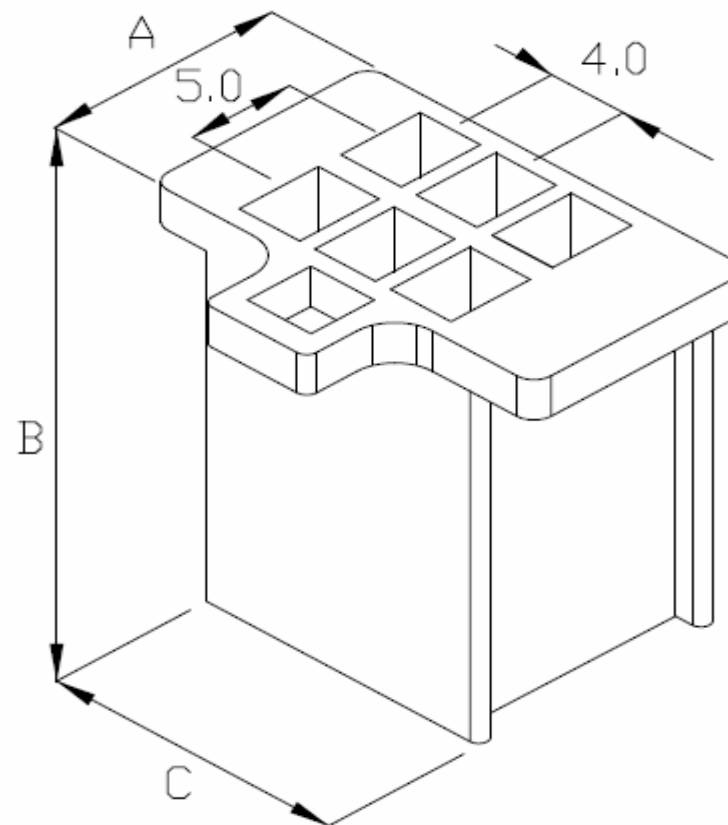
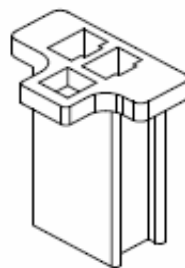


## Technical Discription

Material: Nylon 66 UL94V-2  
 Number of Position: 1x2Pos.  
 K-Type

Current Rating: 3A AC/DC  
 Voltage Rating: 250 VAC/DC  
 Temperature Range: -25°C ~ +85°C  
 Contact Resistance: Initial Value / 10mΩ max.  
 After environmental Testing: 20mΩ max.  
 Insulation Resistance: 500MΩ min.  
 Withstanding Voltage: 1000VAC / minute

## Drawing

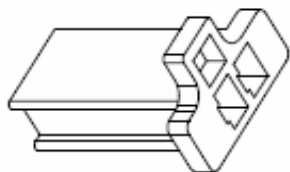


Item-No.		Dimension (mm)		
		A	B	C
T70K036	1x2Pos.	6,2	19,5	10,4
T70K037	1x3Pos.	6,2	19,5	14,4
T70K038	2x2Pos.	11,2	19,5	10,4
T70K039	2x4Pos.	16,2	19,5	14,4

<b>Wire to Wire Connector Pitch 4,00mm</b>	
Part No.:	<b>T70K036</b>
Customer:	

DRW:	Jason	CHKD	Wilson	MATL:	Wilson	TOLERANCE	Mason	DATE	30.10.2010
APPD:	Schumi			FINISH	Jamy		Sheet No.		1 from 2

# EDCON-COMPONENTS



## Ordering Informations

Serie	ROHS	Packing				
T70K036	R	BU				

R= ROHS Conform	BU= Bulk-Ware
N= NON ROHS Conform	

<b>Wire to Wire Connector Pitch 4,00mm</b>	
Part No.:	<b>T70K036</b>
Customer:	

DRW:	Jason	CHKD	Wilson	MATL:	Wilson	TOLERANCE	Mason	DATE	30.10.2010
APPD:	Schumi			FINISH	Jamy		Sheet No.		2 from 2