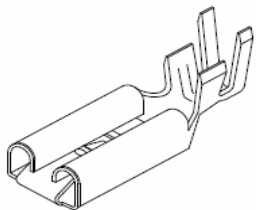


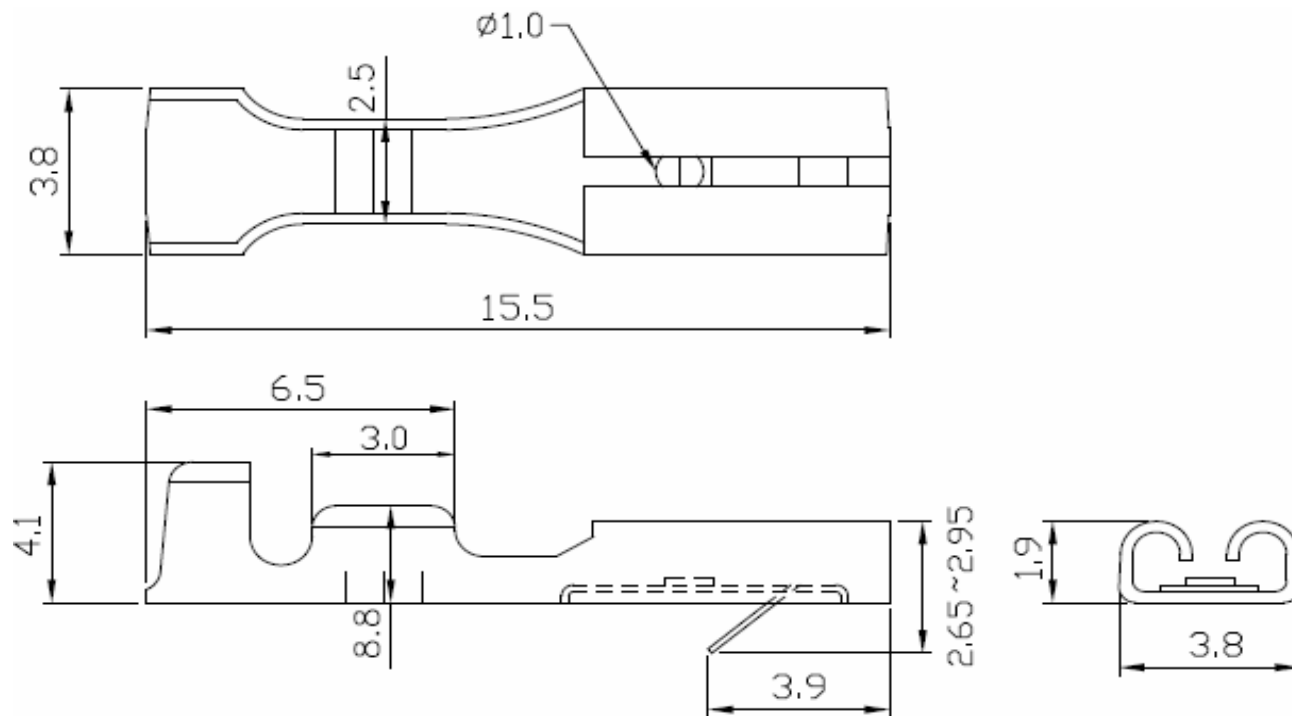
EDCON-COMPONENTS



Discription Terminal

Material: Brass
Thickness: 0,25mm
Wire Range: AWG18~22
Insulation O.D.: 1,90~2,5mm
Quantity of Reel: 5000PCS
Current Rating: 3A AC/DC
Voltage Rating: 250 VAC/DC
Temperature Range: -25°C ~ +85°C
Contact Resistance: Initial Value / 10mΩ max.
After environmental Testing 20mΩ max.
Insulation Resistance: 500MΩ min.
Withstanding Voltage: 1000VAC / minute

Drawing (mm)



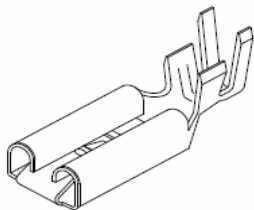
**Female Terminal for
4,00mm Housing**

Part No.: **T70K020**

DRW:	Jason	CHKD	Wilson	MATL:	Wilson	TOLERANCE	Mason	DATE	30.10.2010
APPD:	Schumi			FINISH	Jamy		Sheet No.		1 from 2

Customer:

EDCON-COMPONENTS



Ordering Informations

Terminal

Serie	Wire Size	ROHS	Packing			
T70K020	A	R	TR			

A= AWG 22~18	R= ROHS Conform	TR= Tape / Reel
	N= NON ROHS Conform	

**Female Terminal for
4,00mm Housing**

Part No.: **T70K020**

DRW:	Jason	CHKD	Wilson	MATL:	Wilson	TOLERANCE	Mason	DATE	30.10.2010
APPD:	Schumi			FINISH	Jamy		Sheet No.		2 from 2

Customer: