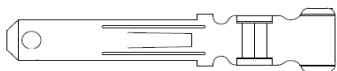


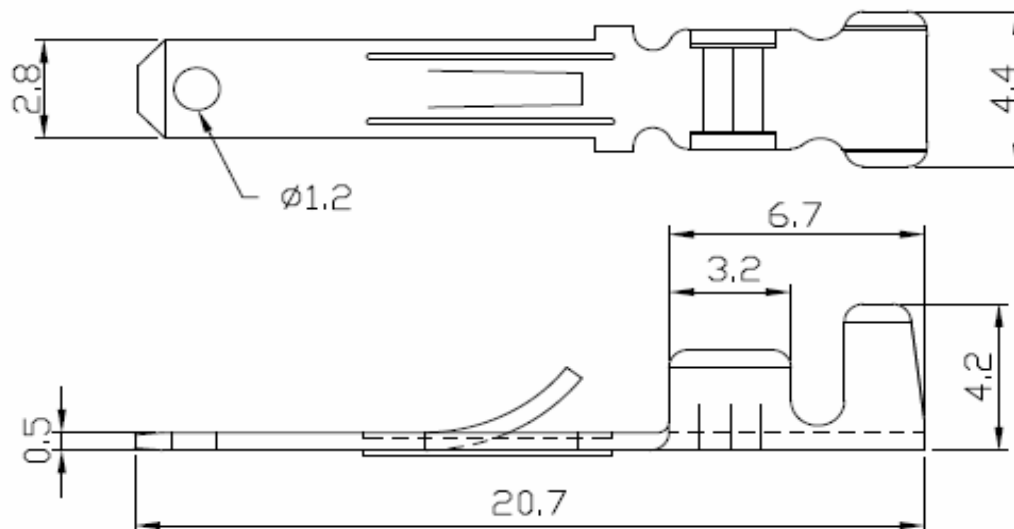
EDCON-COMPONENTS



Discription Terminal

Material: Brass
Thickness: 0,50mm
Wire Range: AWG18~22
Insulation O.D.: 1,90~2,5mm
Quantity of Reel: 5000PCS
Current Rating: 3A AC/DC
Voltage Rating: 250 VAC/DC
Temperature Range: . -25°C ~ +85°C
Contact Resistance: Initinal Value / 10mΩ max.
After environmental Testing 20mΩ max.
Insulation Resistance: 500MΩ min.
Withstanding Voltage: 1000VAC / minute

Drawing (mm)



**Female Terminal for
4,00mm Housing**

Part No.:

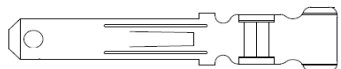
Customer:

DRW:	Jason	CHKD	Wilson	MATL:	Wilson	TOLERANCE	Mason	DATE	30.10.2010
APPD:	Schumi			FINISH	Jamy		Sheet No.		1 from 2

www.edcon-components.com

email: info@edcon-components.com

EDCON-COMPONENTS



Ordering Informations

Terminal

Serie	Wire Size	ROHS	Packing			
-------	-----------	------	---------	--	--	--

T70K019	A	R	TR			
---------	---	---	----	--	--	--

A = AWG 22~18	R = ROHS Conform	TR = Tape / Reel
	N = NON ROHS Conform	

**Female Terminal for
4,00mm Housing**

Part No.: **T70K019**

Customer:

DRW:	Jason	CHKD	Wilson	MATL:	Wilson	TOLERANCE	Mason	DATE	30.10.2010
APPD:	Schumi			FINISH	Jamy		Sheet No.	2 from 2	