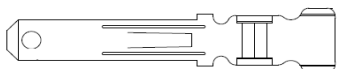


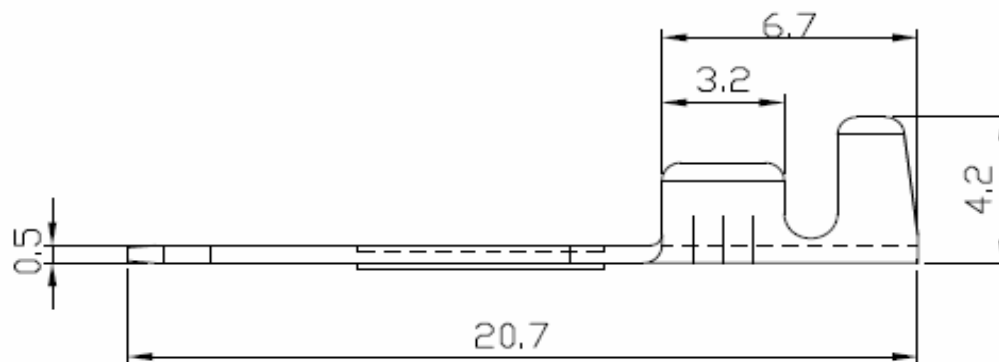
# EDCON-COMPONENTS



## Discription Terminal

|                             |                            |
|-----------------------------|----------------------------|
| Material:                   | Brass                      |
| Thickness:                  | 0,50mm                     |
| Wire Range:                 | AWG18~22                   |
| Insulation O.D.:            | 1,90~2,5mm                 |
| Quantity of Reel:           | 5000PCS                    |
| Current Rating:             | 3A AC/DC                   |
| Voltage Rating:             | 250 VAC/DC                 |
| Temperature Range:          | . -25°C ~ +85°C            |
| Contact Resistance:         | Initinal Value / 10mΩ max. |
| After environmental Testing | 20mΩ max.                  |
| Insulation Resistance:      | 500MΩ min.                 |
| Withstanding Voltage:       | 1000VAC / minute           |

## Drawing (mm)



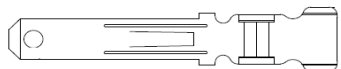
**Female Terminal for  
4,00mm Housing**

Part No.:

Customer:

|       |        |      |        |        |        |           |           |      |            |
|-------|--------|------|--------|--------|--------|-----------|-----------|------|------------|
| DRW:  | Jason  | CHKD | Wilson | MATL:  | Wilson | TOLERANCE | Mason     | DATE | 30.10.2010 |
| APPD: | Schumi |      |        | FINISH | Jamy   |           | Sheet No. |      | 1 from 2   |

# EDCON-COMPONENTS



## Ordering Informations

### Terminal

| Serie   | Wire Size | ROHS | Packing |  |  |  |
|---------|-----------|------|---------|--|--|--|
| T70K018 | A         | R    | TR      |  |  |  |

|                         |                                   |                            |
|-------------------------|-----------------------------------|----------------------------|
| <b>A</b> = AWG<br>22~18 | <b>R</b> = ROHS<br>Conform        | <b>TR</b> = Tape /<br>Reel |
|                         | <b>N</b> = NON<br>ROHS<br>Conform |                            |

**Female Terminal for  
4,00mm Housing**

Part No.: **T70K018**

Customer:

|       |        |      |        |        |        |           |           |      |            |
|-------|--------|------|--------|--------|--------|-----------|-----------|------|------------|
| DRW:  | Jason  | CHKD | Wilson | MATL:  | Wilson | TOLERANCE | Mason     | DATE | 30.10.2010 |
| APPD: | Schumi |      |        | FINISH | Jamy   |           | Sheet No. |      | 2 from 2   |