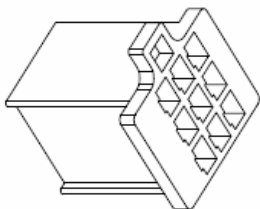


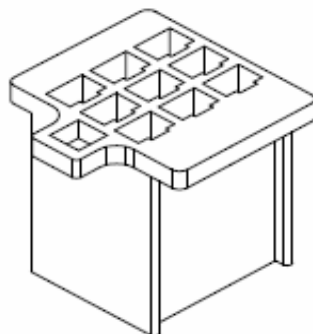
EDCON-COMPONENTS



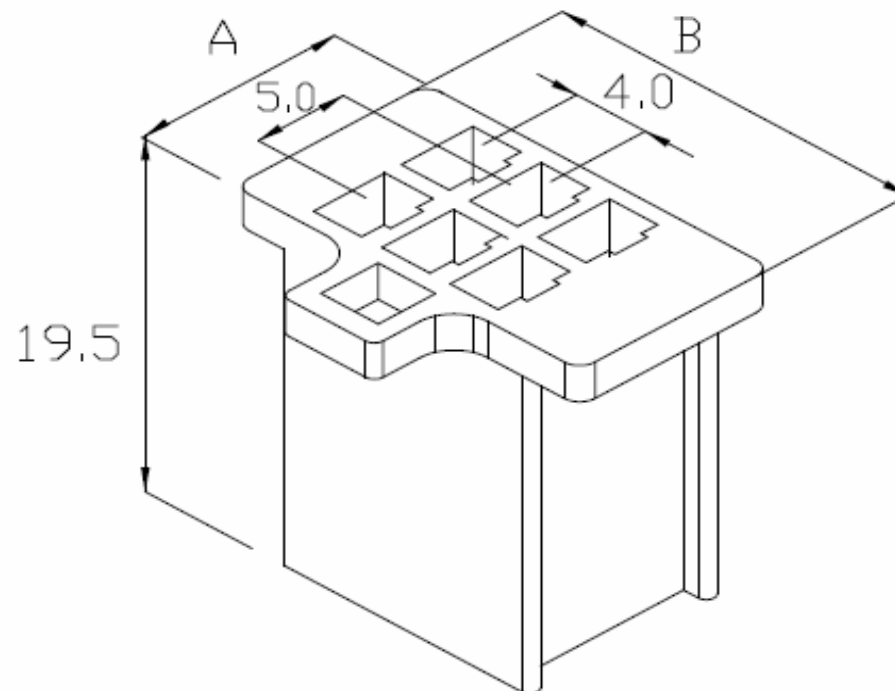
Technical Discription

Material: Nylon 66 UL94V-2
 Number of Position: 3x3Pos.

Current Rating: 3A AC/DC
 Voltage Rating: 250 VAC/DC
 Temperature Range: -25°C ~ +85°C
 Contact Resistance: Initial Value / 10mΩ max.
 After environmental Testing: 20mΩ max.
 Insulation Resistance: 500MΩ min.
 Withstanding Voltage: 1000VAC / minute



Drawing

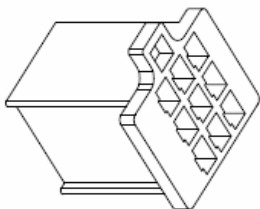


Item-No.		Dimension (mm)	
		A	B
T70K012	1x2Pos.	6,2	16,4
T70K013	1x3Pos.	6,2	20,4
T70K014	2x2Pos.	11,2	16,4
T70K015	2x3Pos.	11,2	20,4
T70K016	2x4Pos.	16,2	20,4

Wire to Wire Connector Pitch 4,00mm	
Part No.:	T70K016
Customer:	

DRW:	Jason	CHKD	Wilson	MATL:	Wilson	TOLERANCE	Mason	DATE	30.10.2010
APPD:	Schumi			FINISH	Jamy		Sheet No.		1 from 2

EDCON-COMPONENTS



Ordering Informations

Serie	ROHS	Packing				
-------	------	---------	--	--	--	--

T70K016	-	R	BU			
---------	---	---	----	--	--	--

R= ROHS Conform	BU= Bulk-Ware
N= NON ROHS Conform	

Wire to Wire Connector Pitch 4,00mm
Part No.: T70K016

DRW:	Jason	CHKD	Wilson	MATL:	Wilson	TOLERANCE	Mason	DATE	30.10.2010	Customer:
APPD:	Schumi			FINISH	Jamy			Sheet No.	2 from 2	