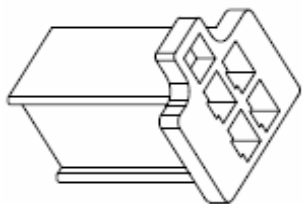


EDCON-COMPONENTS

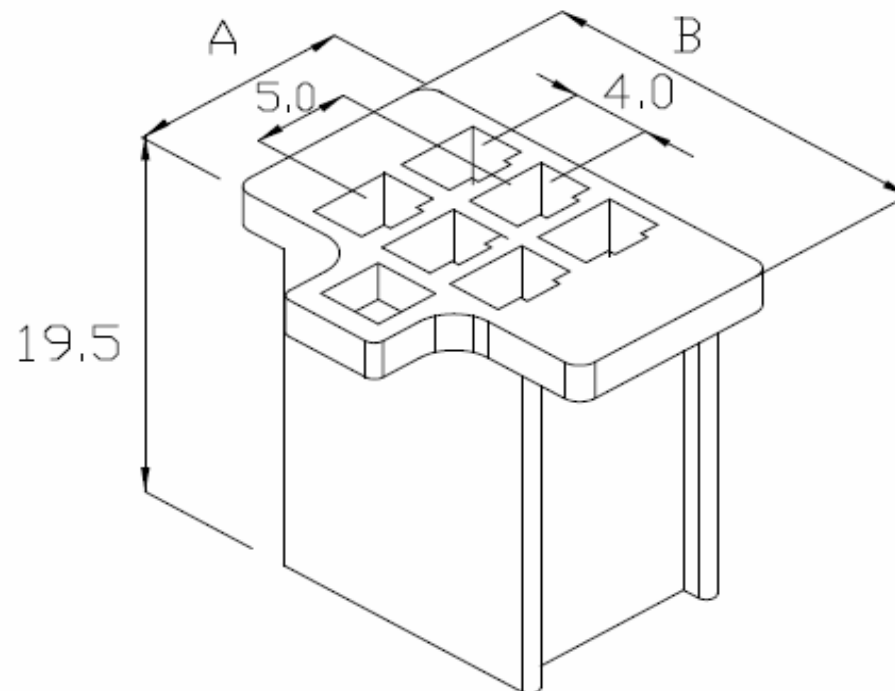
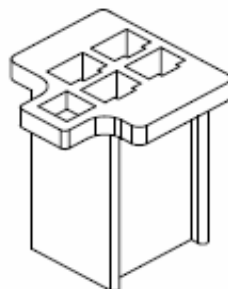


Technical Discription

Material: Nylon 66 UL94V-2
 Number of Position: 2x2Pos.

Current Rating: 3A AC/DC
 Voltage Rating: 250 VAC/DC
 Temperature Range: -25°C ~ +85°C
 Contact Resistance: Initial Value / 10mΩ max.
 After environmental Testing: 20mΩ max.
 Insulation Resistance: 500MΩ min.
 Withstanding Voltage: 1000VAC / minute

Drawing

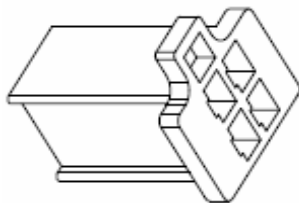


| Item-No. | | Dimension (mm) | |
|----------|---------|----------------|------|
| | | A | B |
| T70K012 | 1x2Pos. | 6,2 | 16,4 |
| T70K013 | 1x3Pos. | 6,2 | 20,4 |
| T70K014 | 2x2Pos. | 11,2 | 16,4 |
| T70K015 | 2x3Pos. | 11,2 | 20,4 |
| T70K016 | 2x4Pos. | 16,2 | 20,4 |
| | | | |
| | | | |
| | | | |

| | |
|--|----------------|
| Wire to Wire Connector Pitch 4,00mm | |
| Part No.: | T70K014 |
| Customer: | |

| | | | | | | | | | |
|-------|--------|------|--------|--------|--------|-----------|-----------|------|------------|
| DRW: | Jason | CHKD | Wilson | MATL: | Wilson | TOLERANCE | Mason | DATE | 30.10.2010 |
| APPD: | Schumi | | | FINISH | Jamy | | Sheet No. | | 1 from 2 |

EDCON-COMPONENTS



Ordering Informations

| Serie | ROHS | Packing | | | | |
|-------|------|---------|--|--|--|--|
|-------|------|---------|--|--|--|--|

| | | | | | | |
|---------|---|---|----|--|--|--|
| T70K014 | - | R | BU | | | |
|---------|---|---|----|--|--|--|

| | |
|---------------------|---------------|
| R= ROHS Conform | BU= Bulk-Ware |
| N= NON ROHS Conform | |

| | |
|--|----------------|
| Wire to Wire Connector Pitch 4,00mm | |
| Part No.: | T70K014 |
| Customer: | |

| | | | | | | | | | |
|-------|--------|------|--------|--------|--------|-----------|-----------|----------|------------|
| DRW: | Jason | CHKD | Wilson | MATL: | Wilson | TOLERANCE | Mason | DATE | 30.10.2010 |
| APPD: | Schumi | | | FINISH | Jamy | | Sheet No. | 2 from 2 | |