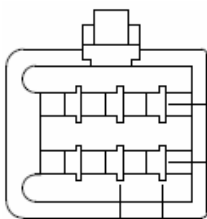


# EDCON-COMPONENTS

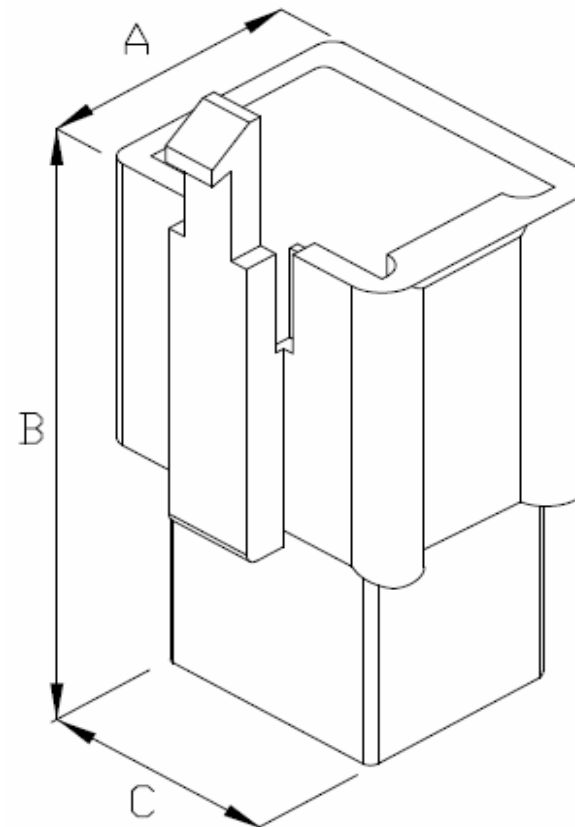
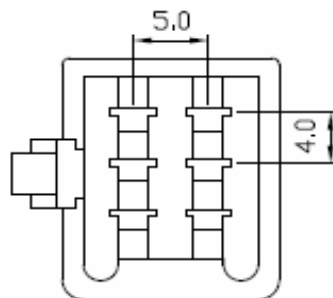


## Technical Discription

Material: Nylon 66 UL94V-2  
 Number of Position: 2x3Pos.

Current Rating: 3A AC/DC  
 Voltage Rating: 250 VAC/DC  
 Temperature Range: -25°C ~ +85°C  
 Contact Resistance: Initial Value / 10mΩ max.  
 After environmental Testing: 20mΩ max.  
 Insulation Resistance: 500MΩ min.  
 Withstanding Voltage: 1000VAC / minute

## Drawing

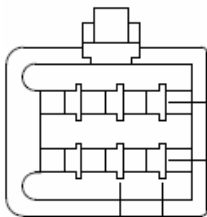


Item-No.		Dimension (mm)		
		A	B	C
T70K003	1x2Pos.	9,3	30,0	9,2
T70K004	1x3Pos.	9,3	30,0	13,2
T70K005	2x2Pos.	14,5	30,0	9,2
T70K006	2x3Pos.	14,5	30,0	13,2
T70K007	2x4Pos.	19,4	30,0	13,2

<b>Wire to Wire Connector Pitch 4,00mm</b>	
Part No.:	<b>T70K006</b>
Customer:	

DRW:	Jason	CHKD	Wilson	MATL:	Wilson	TOLERANCE	Mason	DATE	30.10.2010
APPD:	Schumi			FINISH	Jamy		Sheet No.		1 from 2

# EDCON-COMPONENTS



## Ordering Informations

Serie	ROHS	Packing				
T70K006	R	BU				

R= ROHS Conform	BU= Bulk-Ware
N= NON ROHS Conform	

<b>Wire to Wire Connector Pitch 4,00mm</b>	
Part No.:	<b>T70K006</b>
Customer:	

DRW:	Jason	CHKD	Wilson	MATL:	Wilson	TOLERANCE	Mason	DATE	30.10.2010
APPD:	Schumi			FINISH	Jamy		Sheet No.		2 from 2