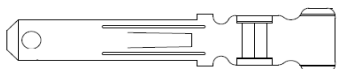


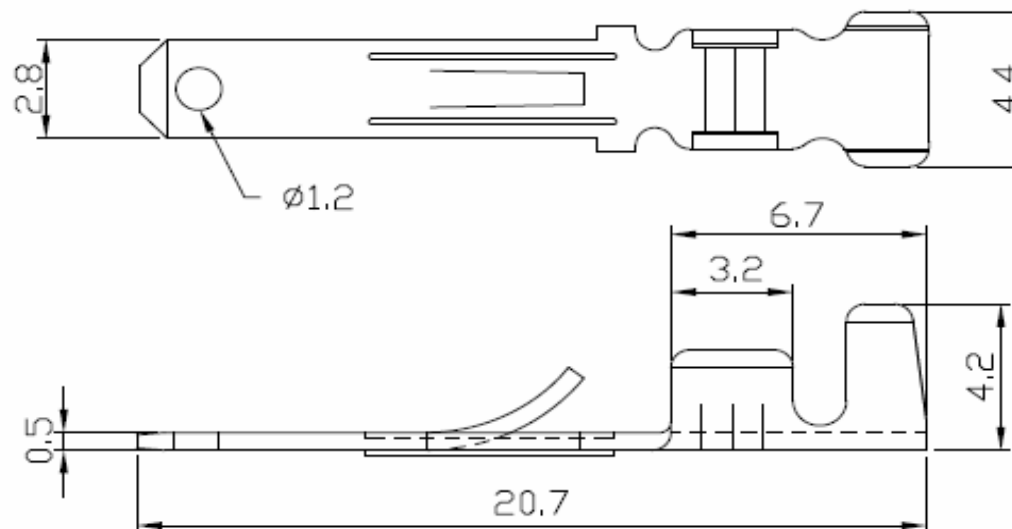
EDCON-COMPONENTS



Discription Terminal

Material:	Brass
Thickness:	0,50mm
Wire Range:	AWG18~22
Insulation O.D.:	1,90~2,5mm
Quantity of Reel:	5000PCS
Current Rating:	3A AC/DC
Voltage Rating:	250 VAC/DC
Temperature Range:	. -25°C ~ +85°C
Contact Resistance:	Initinal Value / 10mΩ max.
After environmental Testing	20mΩ max.
Insulation Resistance:	500MΩ min.
Withstanding Voltage:	1000VAC / minute

Drawing (mm)



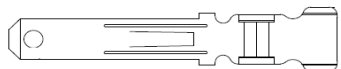
**Female Terminal for
4,00mm Housing**

Part No.: **T70K002**

DRW:	Jason	CHKD	Wilson	MATL:	Wilson	TOLERANCE	Mason	DATE	30.10.2010
APPD:	Schumi			FINISH	Jamy		Sheet No.		1 from 2

Customer:
email: info@edcon-components.com

EDCON-COMPONENTS



Ordering Informations

Terminal

Serie	Wire Size	Contact Material	Contact Plating	ROHS	Packing	
T70K002	A	BR	NP	R	TR	
	A= AWG 22~18	BR= Brass	NP= Non plated	R= ROHS Conform N= NON ROHS Conform	TR= Tape / Reel	

**Female Terminal for
4,00mm Housing**

Part No.: **T70K002**

DRW:	Jason	CHKD	Wilson	MATL:	Wilson	TOLERANCE	Mason	DATE	30.10.2010
APPD:	Schumi			FINISH	Jamy		Sheet No.		2 from 2

Customer: