

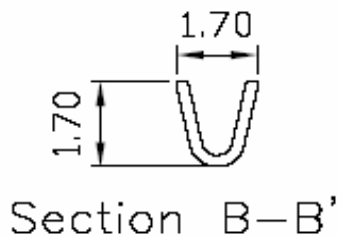
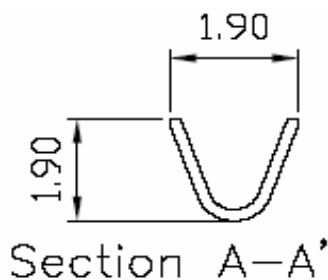
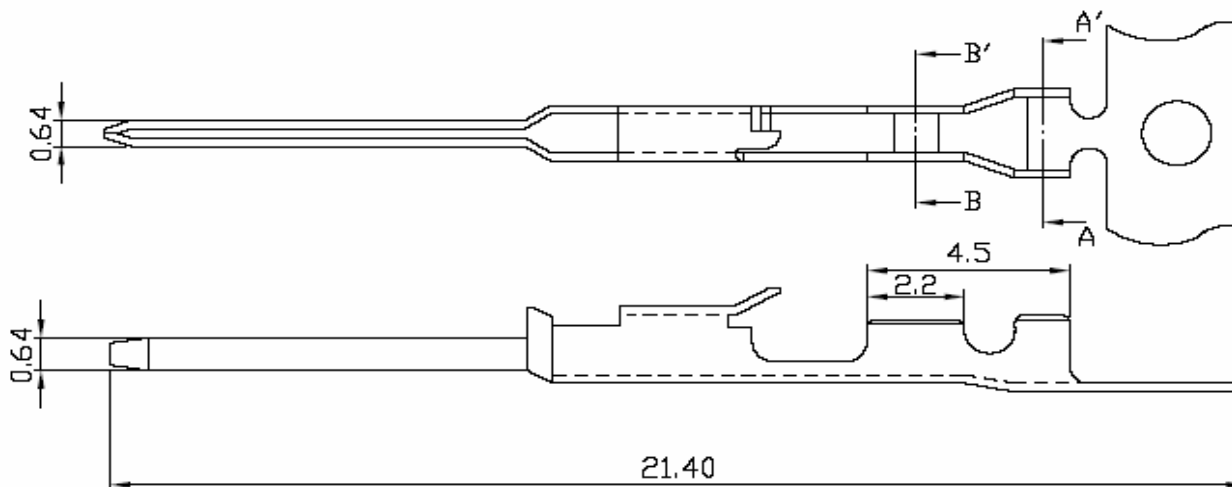
EDCON-COMPONENTS



Discription Terminal

Material: Phosphor Bronze
Thickness: 0,20mm
Wire Range: AWG24~28
Insulation O.D.: 1,70mm max.
Quantity of Reel: 10000PCS
Current Rating: 3A AC/DC
Voltage Rating: 250 VAC/DC
Temperature Range: . -25°C ~ +85°C
Contact Resistance: Inital Value / 10mΩ max.
After environmental Testing 20mΩ max.
Insulation Resistance: 500MΩ min.
Withstanding Voltage: 1000VAC / minute
Contact Plating: Tin or Gold plating

Drawing (mm)



Male Terminal for 2,54mm Housing

Part No.: **T70E002**

DRW:	Jason	CHKD	Wilson	MATL:	Wilson	TOLERANCE	Mason	DATE	30.10.2010
APPD:	Schumi			FINISH	Jamy		Sheet No.		1 from 2

Customer:

email: info@edcon-components.com

EDCON-COMPONENTS



Ordering Informations

Terminal

Serie	Wire Size	Contact Plating	ROHS	Packing		
T70E002	A	TN	R	TR		

A = AWG 24~28	TN = Tin plating	R = ROHS Conform	TR = Tape / Reel
	GF = Gold Flash	N = NON ROHS Conform	

**Male Terminal for 2,54mm
Housing**

Part No.: **T70E002**

Customer:

DRW:	Jason	CHKD	Wilson	MATL:	Wilson	TOLERANCE	Mason	DATE	30.10.2010
APPD:	Schumi			FINISH	Jamy		Sheet No.		2 from 2