

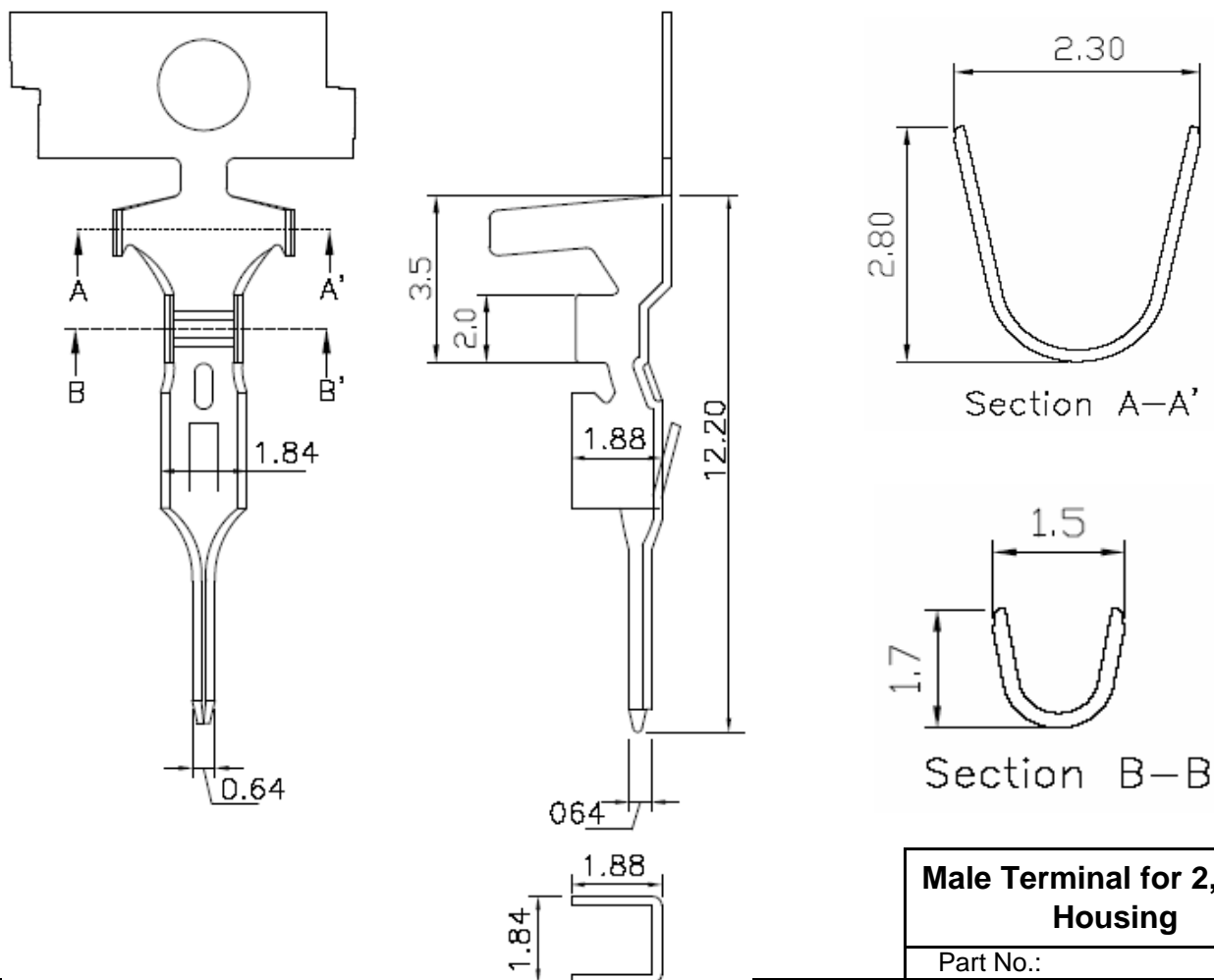
# EDCON-COMPONENTS



## Discription Terminal

Material:	Brass - tin-plated
Thickness:	0,20mm
Wire Range:	AWG24~28
Insulation O.D.:	1,90mm max.
Quantity of Reel:	5000PCS
Current Rating:	3A AC/DC
Voltage Rating:	250 VAC/DC
Temperature Range:	-25°C ~ +85°C
Contact Resistance:	Initial Value / 10mΩ max.
After environmental Testing	20mΩ max.
Insulation Resistance:	500MΩ min.
Withstanding Voltage:	1000VAC / minute
Contact Plating	Tin or Gold plating

## Drawing (mm)



**Male Terminal for 2,50mm Housing**

Part No.:  
Customer:

DRW:	Jason	CHKD	Wilson	MATL.	Wilson	TOLERANCE	Wilson	DATE	30.10.2010
APPD:	Schumi			FINISH	Jamy			Sheet No.	1 from 2

# EDCON-COMPONENTS



## Ordering Informations

### Terminal

Serie	Wire Size	ROHS	Packing			
T70D013	A	R	TR			

<b>A=</b> AWG 22~28	<b>R=</b> ROHS Conform	<b>TR=</b> Tape / Reel
	<b>N=</b> NON ROHS Conform	

**Male Terminal for 2,50mm  
Housing**

Part No.: **T70D013**

Customer:

DRW:	Jason	CHKD	Wilson	MATL:	Wilson	TOLERANCE	Mason	DATE	30.10.2010
APPD:	Schumi			FINISH	Jamy		Sheet No.		2 from 2