

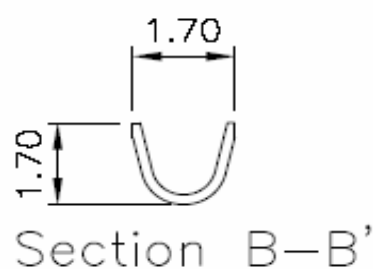
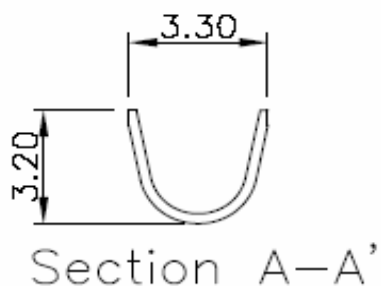
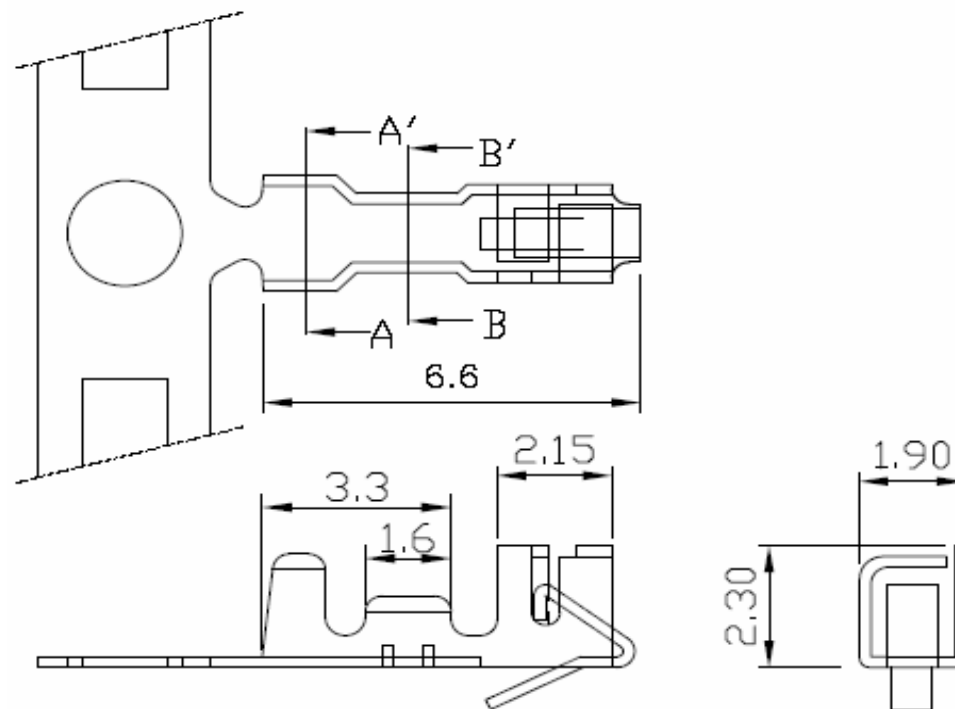
EDCON-COMPONENTS



Discription Terminal

Material:	Brass/Phosphor Bronze/tin-plated
Thickness:	0,20mm
Wire Range:	AWG22~28
Insulation O.D.:	1,90mm max.
Quantity of Reel:	8000PCS
Current Rating:	3A AC/DC
Voltage Rating:	250 VAC/DC
Temperature Range:	-25°C ~ +85°C
Contact Resistance:	Initinal Value / 10mΩ max.
After environmental Testing	20mΩ max.
Insulation Resistance:	500MΩ min.
Withstanding Voltage:	1000VAC / minute
Contact Plating	Tin or Gold plating

Drawing (mm)



**Female Terminal for
2,50mm Housing**

Part No.:

Customer:

DRW:	Jason	CHKD	Wilson	MATL:	Wilson	TOLERANCE	Mason	DATE	30.10.2010
APPD:	Schumi			FINISH	Jamy		Sheet No.		1 from 2

EDCON-COMPONENTS



Ordering Informations

Terminal

Serie	Wire Size	Contact Material	ROHS	Packing		
-------	-----------	------------------	------	---------	--	--

T70D012	A	BR	R	TR		
---------	---	----	---	----	--	--

A = AWG 22~28	BR = Brass	R = ROHS Conform	TR = Tape / Reel
	PB = Phosphor Bronze	N = NON ROHS Conform	

**Female Terminal for
2,50mm Housing**

Part No.: **T70D012**

DRW:	Jason	CHKD	Wilson	MATL:	Wilson	TOLERANCE	Mason	DATE	30.10.2010
APPD:	Schumi			FINISH	Jamy		Sheet No.		2 from 2

Customer: