

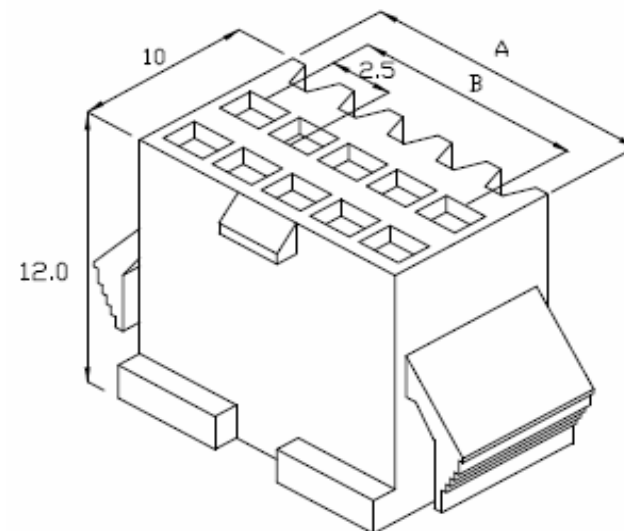
EDCON-COMPONENTS



Technical Discription

Material: Nylon 66 UL94 V-2
No. of Positions: 2x2 ~ 2x10Pos.
Type of Housing: Receptacle
Current Rating: 3A AC/DC
Voltage Rating: 250V AC/DC
Temperature Range: -25°C ~ +85°C
Contact Resistance: Initial Value/10mΩ max.
After environmental testing: 20mΩ max.
Insulation Resistance: 500MΩ min.
Withstanding Voltage: 1500V AC/minute
Applicable Wire: AWG18~22

Drawing



Item-No.		Dimension (mm)	
		A	B
T70D005-04	2x2Pos.	5,50	2,50
T70D005-06	2x3Pos.	8,00	5,00
T70D005-08	2x4Pos.	10,50	7,50
T70D005-10	2x5Pos.	13,00	10,00
T70D005-12	2x6Pos.	15,50	12,50
T70D005-14	2x7Pos.	18,00	15,00
T70D005-16	2x8Pos.	20,50	17,50
T70D005-18	2x9Pos.	23,00	20,00
T70D005-20	2x10Pos.	25,50	22,50

**Wire to Wire Connector
Pitch 2,50mm**

Part No.: **T70D005**

DRW:	Jason	CHKD	Wilson	MATL:	Wilson	TOLERANCE	Mason	DATE	30.10.2010
APPD:	Schumi			FINISH	Jamy		Sheet No.		1 from 2

Customer:
email: info@edcon-components.com

EDCON-COMPONENTS



Ordering Informations

Serie	No. of Pos.	ROHS	Packing			
T70D005	04	R	BU			

04= 2x2Pos. / 2x2~2x10Pos.	R= ROHS Conform	BU= Bulk- Ware
	N= NON ROHS Conform	

Wire to Wire Connector Pitch 2,50mm	
Part No.:	T70D005
Customer:	

DRW:	Jason	CHKD	Wilson	MATL:	Wilson	TOLERANCE	Mason	DATE	30.10.2010
APPD:	Schumi			FINISH	Jamy		Sheet No.		2 from 2