

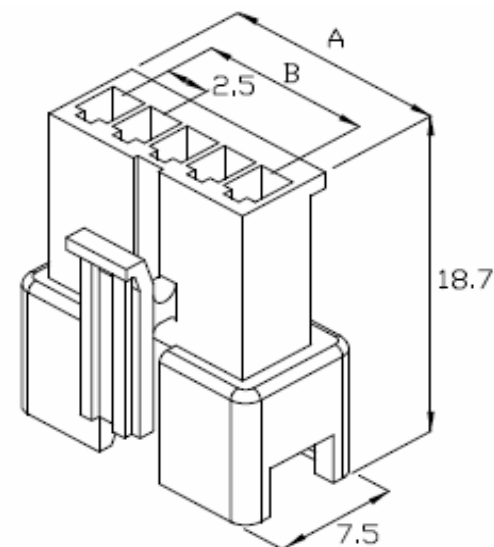
# EDCON-COMPONENTS



## Technical Discription

**Material:** Nylon 66 UL94 V-2  
**No. of Positions:** 1x2 ~ 1x10Pos.  
**Type of Housing:** Plug  
**Current Rating:** 3A AC/DC  
**Voltage Rating:** 250V AC/DC  
**Temperature Range:** -25°C ~ +85°C  
**Contact Resistance:** Initial Value/10mΩ max.  
**After environmental testing:** 20mΩ max.  
**Insulation Resistance:** 500MΩ min.  
**Withstanding Voltage:** 1500V AC/minute  
**Applicable Wire:** AWG18~22

## Drawing



Item-No.		Dimension (mm)	
		A	B
T70D004-02	2Pos.	8,00	2,50
T70D004-03	3Pos.	10,50	5,00
T70D004-04	4Pos.	13,00	7,50
T70D004-05	5Pos.	15,50	10,00
T70D004-06	6Pos.	18,00	12,50
T70D004-07	7Pos.	20,50	15,00
T70D004-08	8Pos.	23,00	17,50
T70D004-09	9Pos.	25,50	20,00
T70D004-10	10Pos.	28,00	22,50

<b>Wire to Wire Connector Pitch 2,50mm</b>	
Part No.:	<b>T70D004</b>
Customer:	

DRW:	Jason	CHKD	Wilson	MATL:	Wilson	TOLERANCE	Mason	DATE	30.10.2010
APPD:	Schumi			FINISH	Jamy		Sheet No.		1 from 2

# EDCON-COMPONENTS



## Ordering Informations

Serie	No. of Pos.	ROHS	Packing			
T70D004	02	R	BU			

02= 2Pos. / 02~10Pos.	R= ROHS Conform	BU= Bulk- Ware
	N= NON ROHS Conform	

<b>Wire to Wire Connector Pitch 2,50mm</b>	
Part No.:	<b>T70D004</b>
Customer:	

DRW:	Jason	CHKD	Wilson	MATL:	Wilson	TOLERANCE	Mason	DATE	30.10.2010
APPD:	Schumi			FINISH	Jamy		Sheet No.		2 from 2