

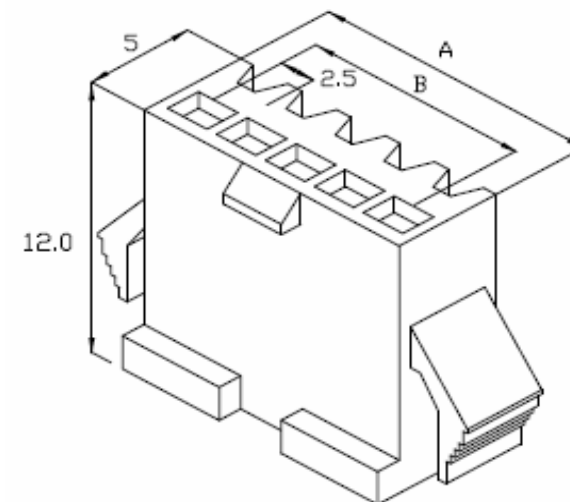
EDCON-COMPONENTS



Technical Discription

Material: Nylon 66 UL94 V-2
No. of Positions: 1x2 ~ 1x10Pos.
Type of Housing: Receptacle
Current Rating: 3A AC/DC
Voltage Rating: 250V AC/DC
Temperature Range: -25°C ~ +85°C
Contact Resistance: Initial Value/10mΩ max.
After environmental testing: 20mΩ max.
Insulation Resistance: 500MΩ min.
Withstanding Voltage: 1500V AC/minute
Applicable Wire: AWG18~22

Drawing



Item-No.		Dimension (mm)	
		A	B
T70D003-02	2Pos.	5,50	2,50
T70D003-03	3Pos.	8,00	5,00
T70D003-04	4Pos.	10,50	7,50
T70D003-05	5Pos.	13,00	10,00
T70D003-06	6Pos.	15,50	12,50
T70D003-07	7Pos.	18,00	15,00
T70D003-08	8Pos.	20,50	17,50
T70D003-09	9Pos.	23,00	20,00
T70D003-10	10Pos.	25,50	22,50

Wire to Wire Connector Pitch 2,50mm	
Part No.:	T70D003
Customer:	

DRW:	Jason	CHKD	Wilson	MATL:	Wilson	TOLERANCE	Mason	DATE	30.10.2010
APPD:	Schumi			FINISH	Jamy		Sheet No.		1 from 2

EDCON-COMPONENTS



Ordering Informations

Serie	No. of Pos.	ROHS	Packing			
T70D003	02	R	BU			

02= 2Pos. / 02~10Pos.	R= ROHS Conform	BU= Bulk- Ware
	N= NON ROHS Conform	

Wire to Wire Connector Pitch 2,50mm	
Part No.:	T70D003
Customer:	

DRW:	Jason	CHKD	Wilson	MATL:	Wilson	TOLERANCE	Mason	DATE	30.10.2010
APPD:	Schumi			FINISH	Jamy		Sheet No.		2 from 2