

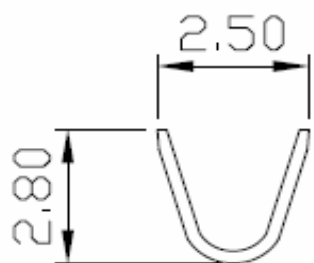
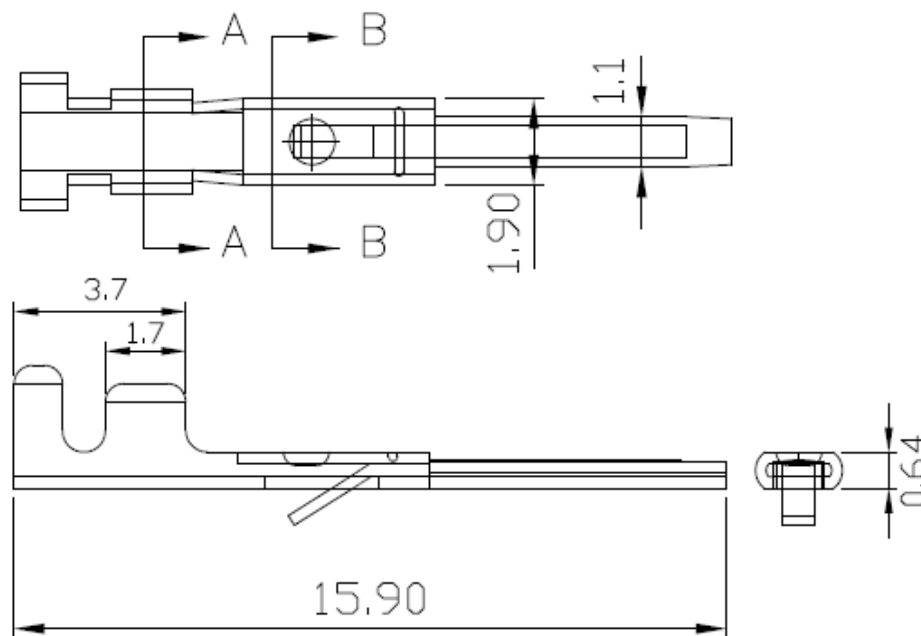
EDCON-COMPONENTS



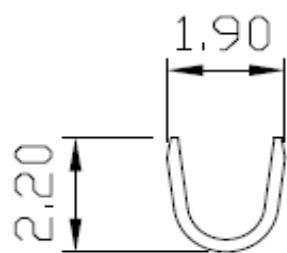
Discription Terminal

Material: Brass tin-plated
Thickness: 0,25mm
Wire Range: AWG22~26
Insulation O.D.: 1,70mm max.
Quantity of Reel: 7000PCS
Current Rating: 3A AC/DC
Voltage Rating: 250 VAC/DC
Temperature Range: -25°C ~ +85°C
Contact Resistance: Initinal Value / 10mΩ max.
After environmental Testing 20mΩ max.
Insulation Resistance: 500MΩ min.
Withstanding Voltage: 1000VAC / minute
Contact Plating: Tin or Gold plating

Drawing (mm)



Section A-A'



Section B-B'

**Female Terminal for
2,50mm Housing**

Part No.:

Customer:

DRW:	Jason	CHKD	Wilson	MATL:	Wilson	TOLERANCE	Mason	DATE	30.10.2010
APPD:	Schumi			FINISH	Jamy		Sheet No.		1 from 2

EDCON-COMPONENTS



Ordering Informations

Terminal

Serie	Wire Size	Contact Plating	ROHS	Packing		
-------	-----------	-----------------	------	---------	--	--

T70D002	A	TN	R	TR		
---------	---	----	---	----	--	--

A = AWG 22~26	TN = Tin plating	R = ROHS Conform	TR = Tape / Reel
		N = NON ROHS Conform	

**Female Terminal for
2,50mm Housing**

Part No.: **T70D002**

DRW:	Jason	CHKD	Wilson	MATL:	Wilson	TOLERANCE	Mason	DATE	30.10.2010
APPD:	Schumi			FINISH	Jamy		Sheet No.	2 from 2	Customer:

www.edcon-components.com

email: info@edcon-components.com