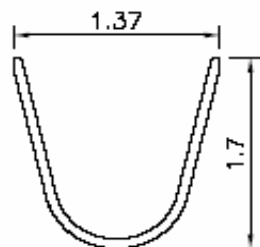


# EDCON-COMPONENTS

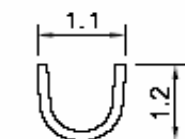


## Discription Terminal

Contact Material: Phosphor Bronze  
 Thickness: 0,20mm  
 Wire Range: AWG28~26  
 Insulation O.D.: 0,9mm max.  
 Quantity of Reel: 15000PCS  
 Current Rating: 1A AC/DC  
 Voltage Rating: 125 VAC/DC  
 Temperature Range: -25°C ~ +85°C  
 Contact Resistance: Initinal Value / 20mΩ max.  
 After environmental Testing 20mΩ max.  
 Insulation Resistance: 500MΩ min.  
 Withstanding Voltage: 500VAC / minute  
 Contact Plating: Tin plating

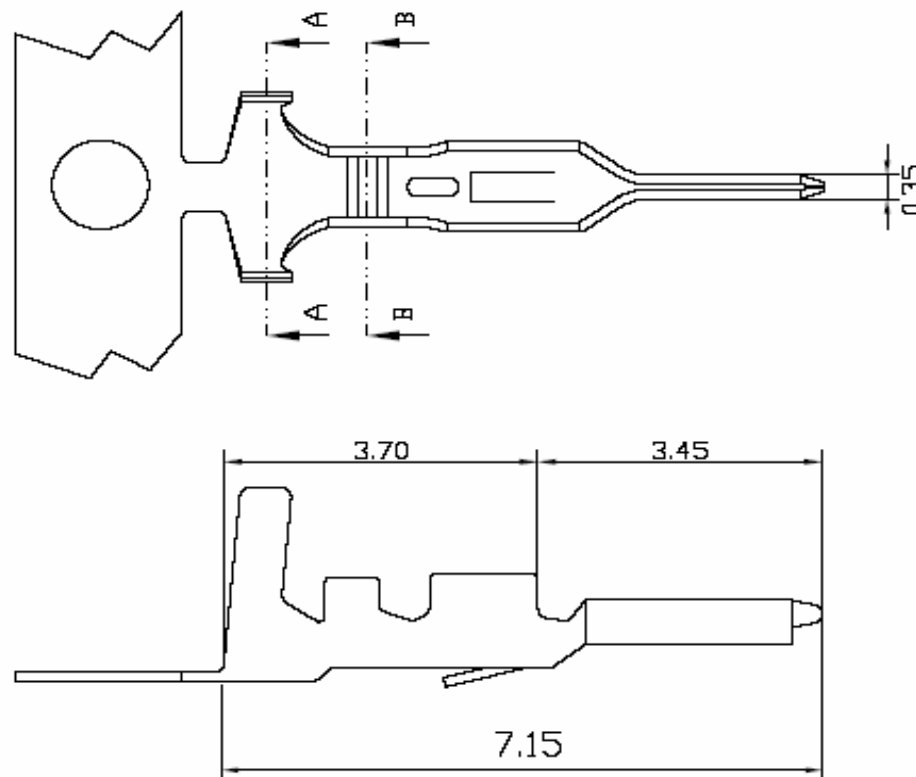


SEC A-A



SEC B-B

## Drawing (mm)



**Male Terminal for 1,25mm Housing**

Part No.: **T70A002**

Customer:

DRW:	Jason	CHKD	Wilson	MATL:	Wilson	TOLERANCE	Mason	DATE	30.10.2010
APPD:	Schumi			FINISH	Jamy		Sheet No.		1 from 2

# EDCON-COMPONENTS



## Ordering Informations

### Terminal

Serie	Wire Size	Contact Plating	ROHS	Packing		
-------	-----------	-----------------	------	---------	--	--

T70A002	A	TN	R	TR		
---------	---	----	---	----	--	--

<b>A</b> = AWG 28~26	<b>TN</b> = Tin plating	<b>R</b> = ROHS Conform	<b>TR</b> = Tape / Reel
		<b>N</b> = NON ROHS Conform	

**Male Terminal for 1,25mm  
Housing**

Part No.: **T70A002**

Customer:

DRW:	Jason	CHKD	Wilson	MATL:	Wilson	TOLERANCE	Mason	DATE	30.10.2010
APPD:	Schumi			FINISH	Jamy		Sheet No.		2 from 2