

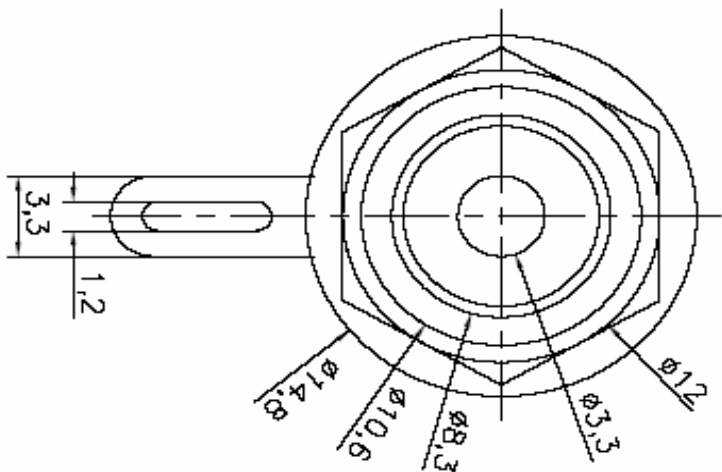
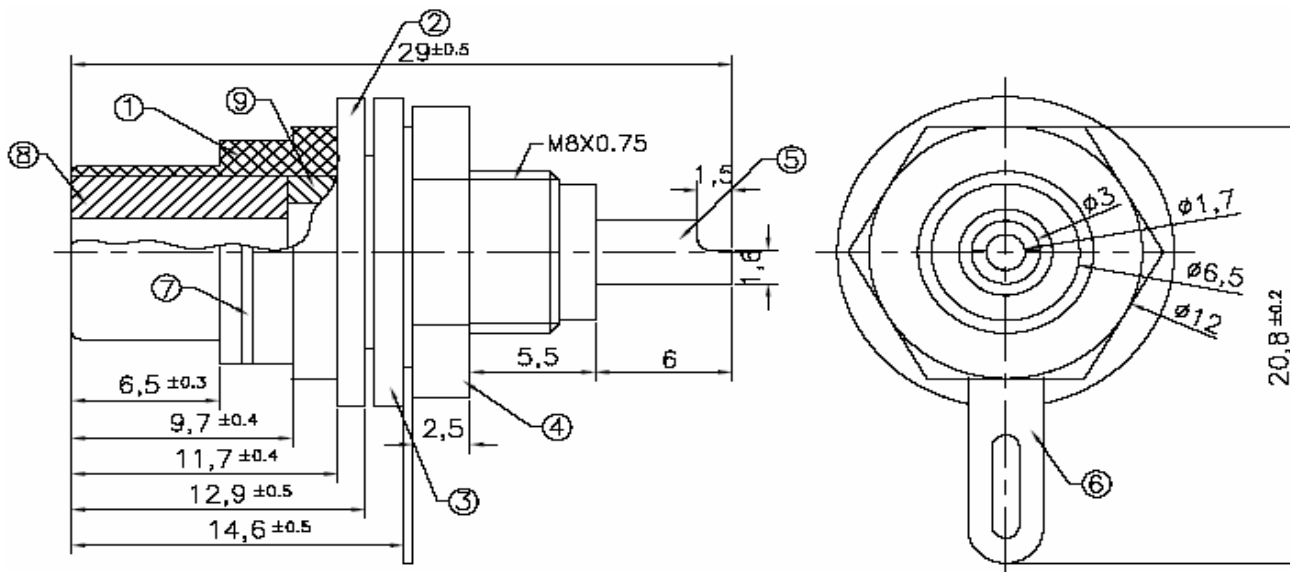
# EDCON-COMPONENTS



## Technical Discription

Insulator Material: 9	Teflon
Insulator Material: 8	Teflon
O-Ring Material: 7	P.V.C
Solder Tag Material: 6	Bronze
Pin Material: 5	Bronze
Nut Material: 4	Bronze
Plastic Washer Material: 3	P.E
Plastic Washer Material: 2	P.E
Body Material: 1	Bronze
Solder Tag Finish:	AU-Plated
Pin Finish:	AU-Plated
Nut Finish:	AU-Plated
Body Finish:	AU-Plated

## Drawing



## THT RCA Connector

Part No.: **T53072**

Customer:

DRW:	Jason	CHKD	Wilson	MATL:	Wilson	TOLERANCE	Mason	DATE	03.11.2010
APPD:	Schumi			FINISH	Jamy		Sheet No.		1 from 3

# EDCON-COMPONENTS



## Ordering Informations

Serie	Color	ROHS	Packing			
T53072	BK	R	BU			

<b>BK</b> = Black	<b>R</b> = ROHS Conform	<b>BU</b> = Bulk-Ware
<b>YE</b> = Yellow	<b>N</b> = NON ROHS Conform	
<b>WH</b> = White		
<b>RD</b> = Red		

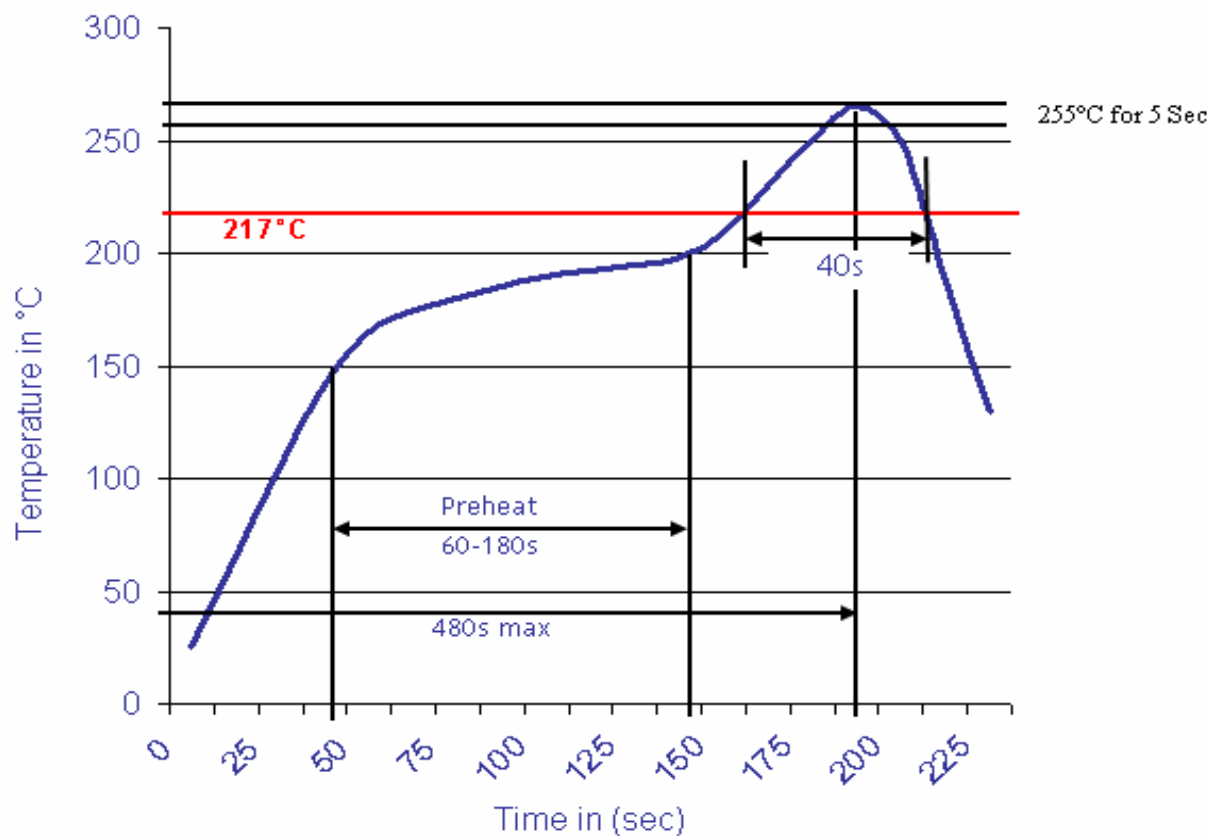
<b>THT RCA Connector</b>
Part No.: <b>T53072</b>
Customer:

DRW:	Jason	CHKD	Wilson	MATL:	Wilson	TOLERANCE	Mason	DATE	03.11.2010
APPD:	Schumi			FINISH	Jamy		Sheet No.	2 from 3	



Soldering Profile Curve

Classification Reflow Profile (JEDEC J-STD-020C)



**THT RCA Connector**

Part No.: **T53072**

DRW:	Jason	CHKD	Wilson	MATL:	Wilson	TOLERANCE	Mason	DATE	03.11.2010	Customer:
APPD:	Schumi			FINISH	Jamy		Sheet No.	3 from 3		