

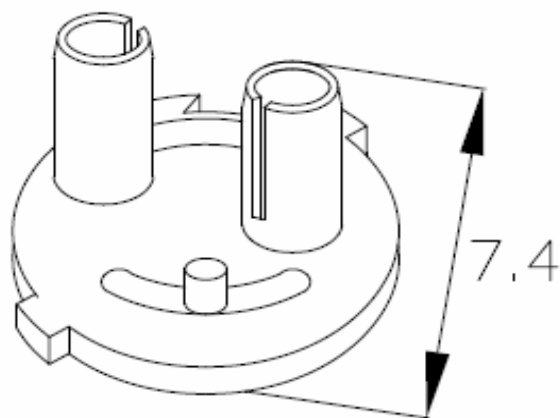
# EDCON-COMPONENTS



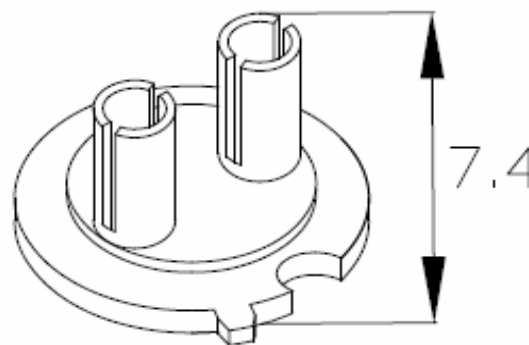
## Discription Housing

## Drawing (mm)

Material: Nylon  
 Mates: with Terminal R55012  
 Rating Voltage: AC/250, DC350V  
 Rating Current: 5A  
 Temperature Range: . 25°C ~ +85°C



Type 1P



Type 2P

**Axial Fuse Housing for  
5x20mm Fuse**

Part No.:

Customer:

DRW:	Jason	CHKD	Wilson	MATL:	Wilson	TOLERANCE	Mason	DATE	30.10.2010
APPD:	Schumi			FINISH	Jamy		Sheet No.		1 from 2

# EDCON-COMPONENTS



## Ordering Informations

### Terminal

Serie	ROHS	Packing				
R55015	R	BU				

R= ROHS Conform	BU= Bulk-Ware
N= NON ROHS Conform	

<b>Axial Fuse Housing for 5x20mm Fuse</b>	
Part No.:	<b>R55015</b>
Customer:	

DRW:	Jason	CHKD	Wilson	MATL:	Wilson	TOLERANCE	Mason	DATE	30.10.2010
APPD:	Schumi			FINISH	Jamy		Sheet No.		2 from 2