

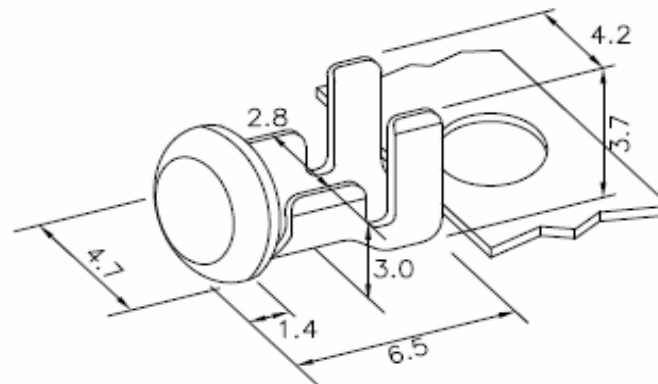
# EDCON-COMPONENTS



## Discription Terminal

Material: Brass  
 Thickness: 0,4mm  
 Hardness: H  
 Wire Range: AWG #16~22  
 Isulation O.D: 2,3mm max.

## Drawing (mm)



**Terminal Axial Fuse Holder  
 for 5x20mm Fuse**

Part No.:

Customer:

DRW:	Jason	CHKD	Wilson	MATL:	Wilson	TOLERANCE	Mason	DATE	30.10.2010
APPD:	Schumi			FINISH	Jamy		Sheet No.	1 from 2	

# EDCON-COMPONENTS



## Ordering Informations

### Terminal

Serie	Wire Size	ROHS	Packing			
R55012	A	R	TR			

<b>A=</b> AWG 16~22	<b>R=</b> ROHS Conform	<b>TR=</b> Tape / Reel
	<b>N=</b> NON ROHS Conform	

**Terminal Axial Fuse Holder  
for 5x20mm Fuse**

Part No.: **R55012**

DRW:	Jason	CHKD	Wilson	MATL:	Wilson	TOLERANCE	Mason	DATE	30.10.2010
APPD:	Schumi			FINISH	Jamy		Sheet No.		2 from 2

Customer: