

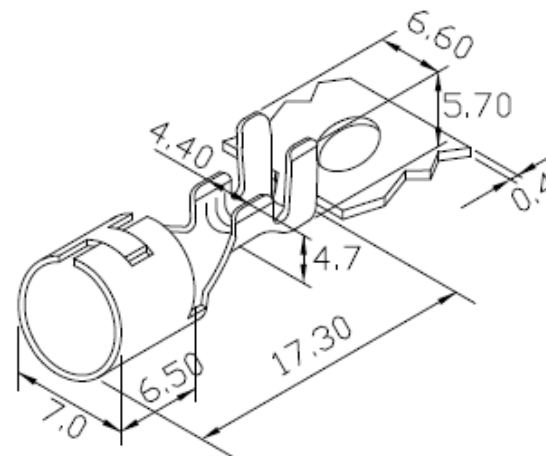
# EDCON-COMPONENTS



## Discription Terminal

Material: Brass  
 Thickness: 0,4mm  
 Hardness: H/2  
 Wire Range: AWG #14~18

## Drawing (mm)



**Terminal Axial Fuse Holder  
 for 5x20mm Fuse**

Part No.:

Customer:

DRW:	Jason	CHKD	Wilson	MATL:	Wilson	TOLERANCE	Mason	DATE	30.10.2010
APPD:	Schumi			FINISH	Jamy		Sheet No.	1 from 2	

# EDCON-COMPONENTS



## Ordering Informations

### Terminal

Serie	Wire Size	ROHS	Packing			
R55006	A	R	TR			

<b>A</b> = AWG 14~18	<b>R</b> = ROHS Conform	<b>TR</b> = Tape / Reel
	<b>N</b> = NON ROHS Conform	

**Terminal Axial Fuse Holder  
for 5x20mm Fuse**

Part No.: **R55006**

Customer:

DRW:	Jason	CHKD	Wilson	MATL:	Wilson	TOLERANCE	Mason	DATE	30.10.2010
APPD:	Schumi			FINISH	Jamy		Sheet No.	2 from 2	