

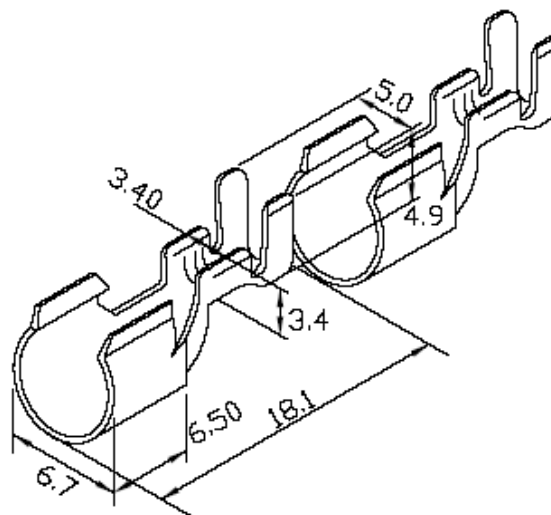
# EDCON-COMPONENTS



## Discription Terminal

Material: Brass  
 Thickness: 0,3mm  
 Hardness: H/2  
 Wire Range: AWG #22~24

## Drawing (mm)



**Terminal Axial Fuse Holder  
 for 5x20mm Fuse**

Part No.:

Customer:

|       |        |      |        |        |        |           |           |          |            |
|-------|--------|------|--------|--------|--------|-----------|-----------|----------|------------|
| DRW:  | Jason  | CHKD | Wilson | MATL:  | Wilson | TOLERANCE | Mason     | DATE     | 30.10.2010 |
| APPD: | Schumi |      |        | FINISH | Jamy   |           | Sheet No. | 1 from 2 |            |

# EDCON-COMPONENTS



## Ordering Informations

### Terminal

| Serie  | Wire Size | ROHS | Packing |  |  |  |
|--------|-----------|------|---------|--|--|--|
| R55001 | A         | R    | TR      |  |  |  |

|                        |                                  |                           |
|------------------------|----------------------------------|---------------------------|
| <b>A=</b> AWG<br>22~24 | <b>R=</b> ROHS<br>Conform        | <b>TR=</b> Tape /<br>Reel |
|                        | <b>N=</b> NON<br>ROHS<br>Conform |                           |

**Terminal Axial Fuse Holder  
for 5x20mm Fuse**

Part No.: **R55001**

Customer:

|       |        |      |        |        |        |           |           |      |            |
|-------|--------|------|--------|--------|--------|-----------|-----------|------|------------|
| DRW:  | Jason  | CHKD | Wilson | MATL:  | Wilson | TOLERANCE | Mason     | DATE | 30.10.2010 |
| APPD: | Schumi |      |        | FINISH | Jamy   |           | Sheet No. |      | 2 from 2   |