

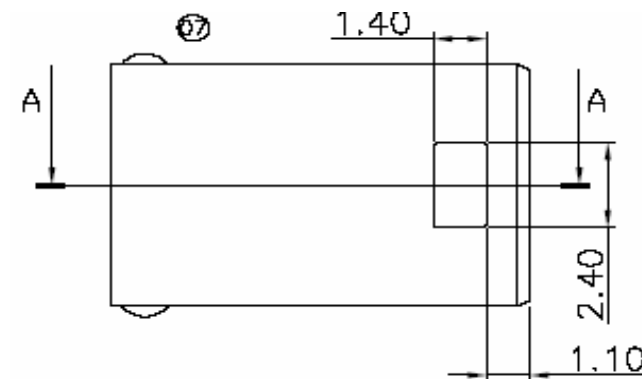
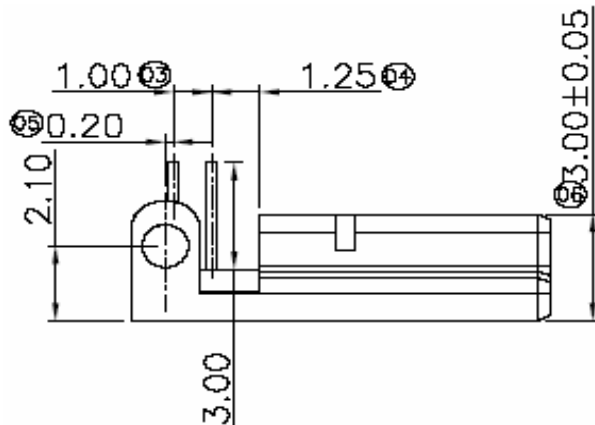
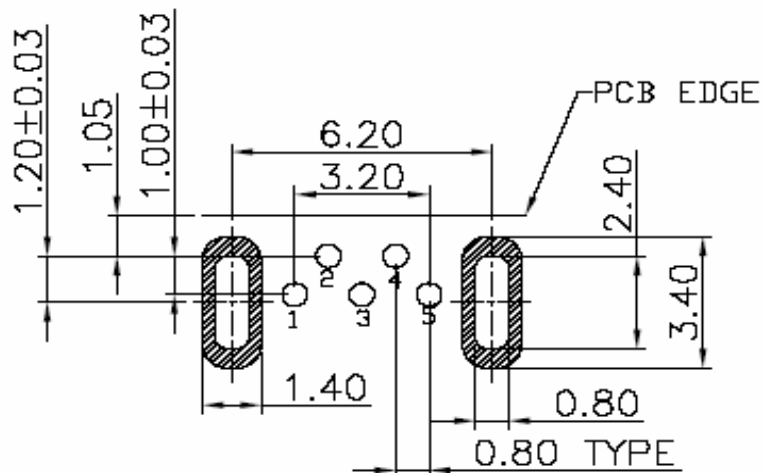
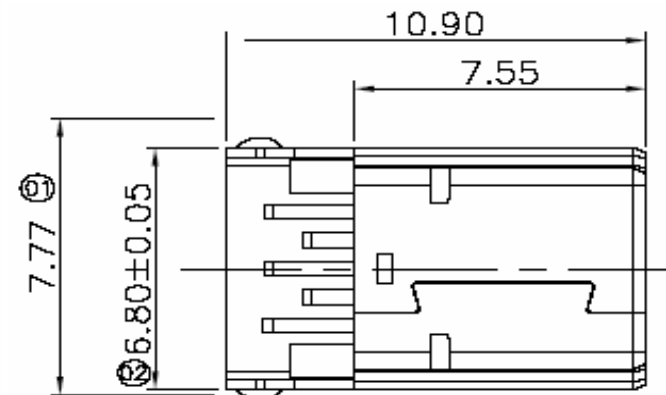
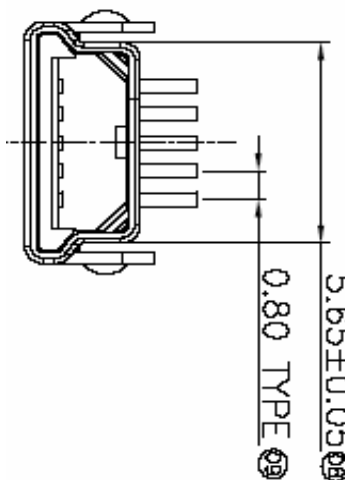
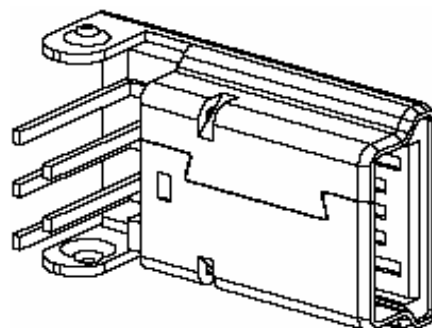
EDCON-COMPONENTS



Technical Description

Contact Rating:	1,0A
Dielectric Withst, Voltage:	Voltage 100VAC
Insulation Resistance:	100 Mega Ω Min.
Contact Resistance:	50 Milli Ω Max.
Operating Voltage:	0°C ~ +50°C
Intervene Force	35N Max.
Separation Force:	7N Max.
Singularity Retention:	4N Max.
Contact Material:	Copper Alloy
Insulator Material:	LCP
Shell Material:	Copper Alloy
Contact Plating: (Area)	0,75 Micro Meter (30 μ) AU min.
Solder Area:	2,5Micro Meter (100 μ) min Tin

Drawing



SMT MINI USB 5Pos.

Part No.: **T64023**

Customer:

DRW:	Jason	CHKD	Wilson	MATL:	Wilson	TOLERANCE	Mason	DATE	03.11.2010
APPD:	Schumi			FINISH	Jamy		Sheet No.	1 from 3	

EDCON-COMPONENTS



Ordering Informations

Serie	ROHS	Packing				
-------	------	---------	--	--	--	--

T64023	-	R	TY			
--------	---	---	----	--	--	--

R= ROHS Conform	TY= Tray (Standard)	
N= NON ROHS Conform		

SMT MINI USB 5Pos.
Part No.: T64023
Customer:

DRW:	Jason	CHKD	Wilson	MATL:	Wilson	TOLERANCE	Mason	DATE	03.11.2010
APPD:	Schumi			FINISH	Jamy		Sheet No.		2 from 3

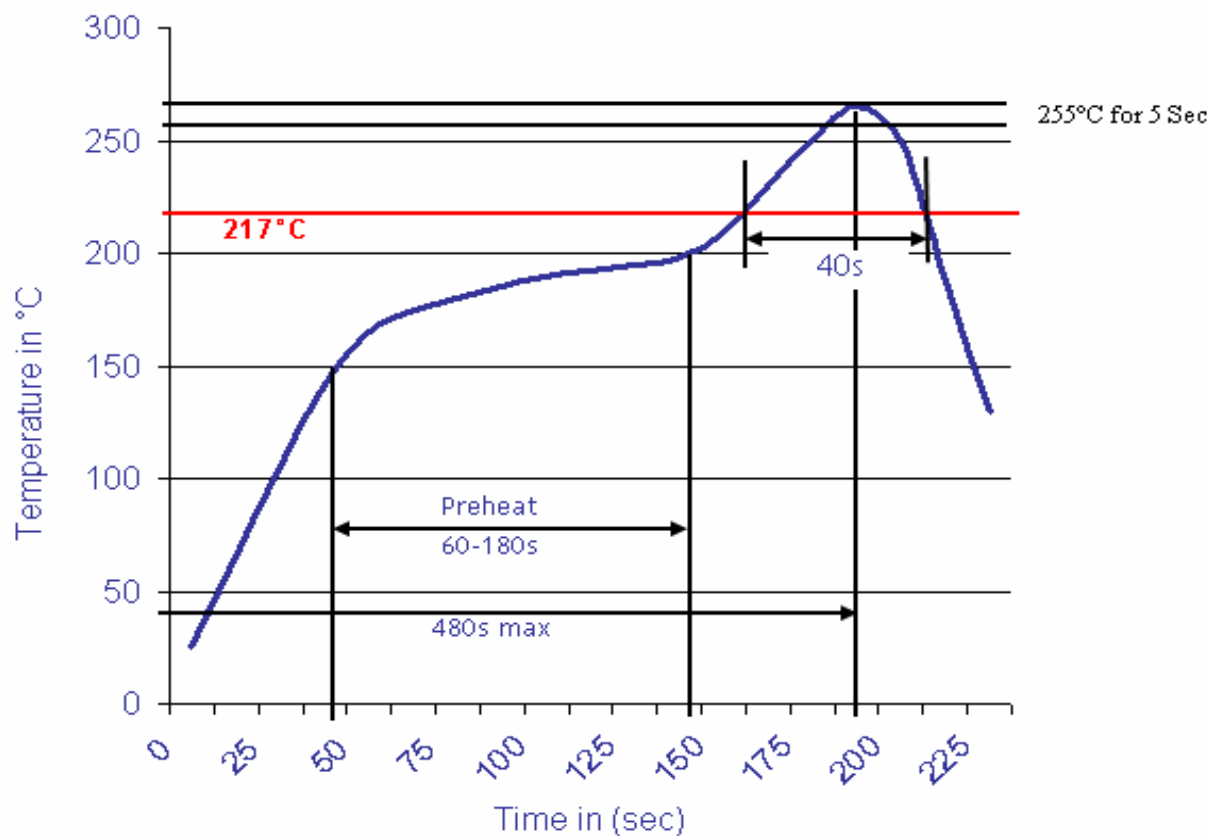
www.edcon-components.com

email: info@edcon-components.com



Soldering Profile Curve

Classification Reflow Profile (JEDEC J-STD-020C)



SMT MINI USB 5Pos.

Part No.: **T64023**

DRW:	Jason	CHKD	Wilson	MATL:	Wilson	TOLERANCE	Mason	DATE	03.11.2010	Customer:
APPD:	Schumi			FINISH	Jamy		Sheet No.	3 from 3		