

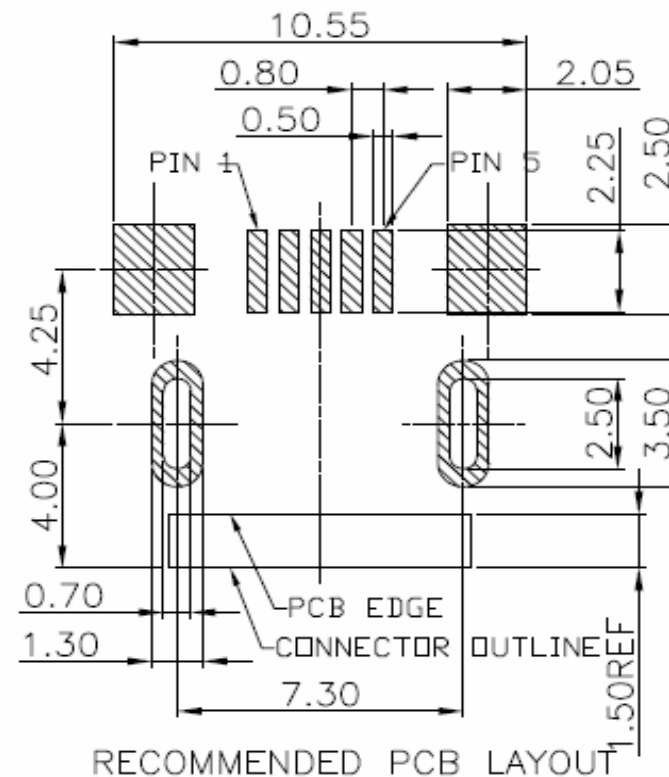
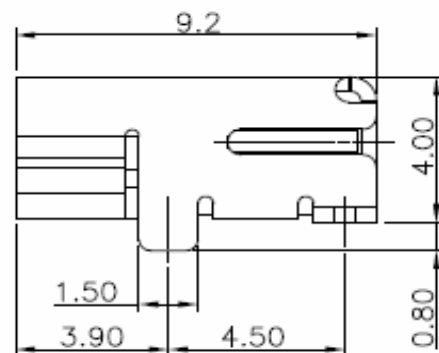
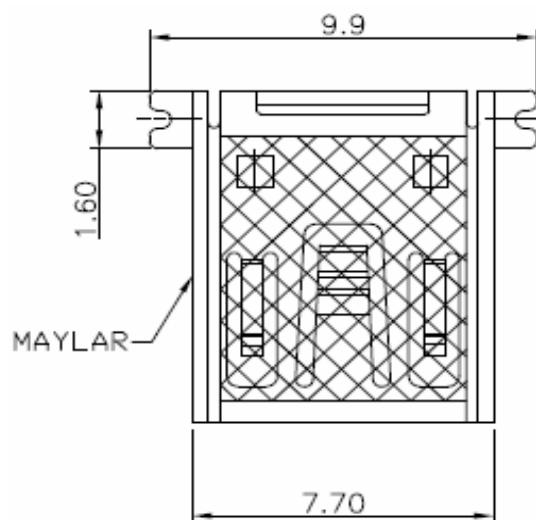
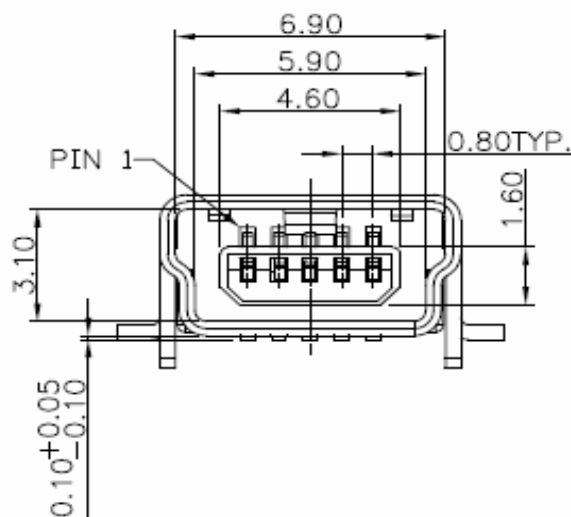
EDCON-COMPONENTS



Technical Description

Contact Rating: 1,0A
 Dielectric Withst, Voltage: Voltage 100VAC
 Insulation Resistance: 100 Mega Ω Min.
 Contact Resistance: 50 Milli Ω Max.
 Operating Voltage: 0°C ~ +50°C
 Intervene Force: 35N Max.
 Separation Force: 7N Max.
 Singularity Retention: 4N Max.
 Contact Material: Copper Alloy
 Insulator Material: LCP
 Shell Material: Copper Alloy
 Contact Plating: (Area) 0,75 Micro Meter (30 μ) AU min.
 Solder Area: 2,5Micro Meter (100 μ) min Tin

Drawing



SMT MINI USB 5Pos.

Part No.: **T64022**

Customer:

DRW:	Jason	CHKD	Wilson	MATL:	Wilson	TOLERANCE	Mason	DATE	03.11.2010
APPD:	Schumi			FINISH	Jamy		Sheet No.	1 from 3	

EDCON-COMPONENTS



Ordering Informations

Serie	ROHS	Packing				
-------	------	---------	--	--	--	--

T64022	-	R	TY			
--------	---	---	----	--	--	--

R= ROHS Conform	TY= Tray (Standard)	
N= NON ROHS Conform	TR= Tape / Reel (on request)	

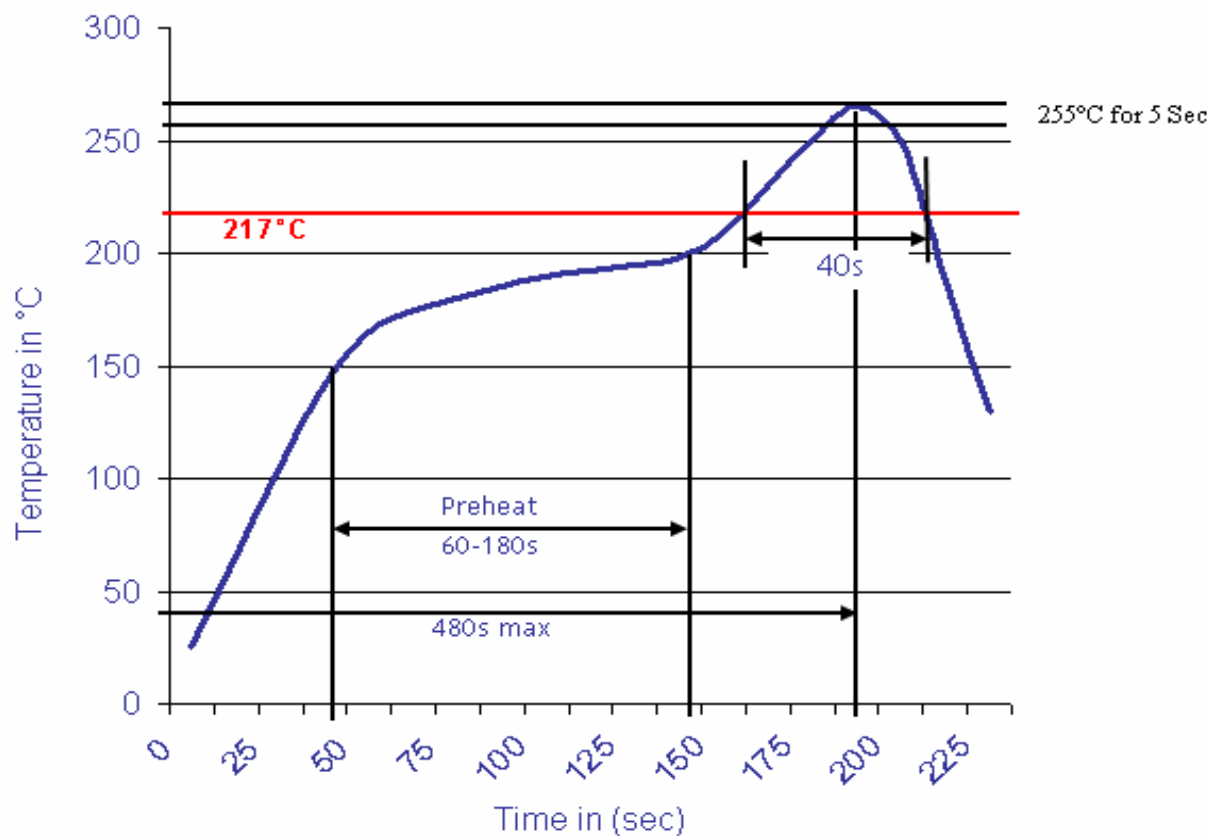
SMT MINI USB 5Pos.
Part No.: T64022
Customer:

DRW:	Jason	CHKD	Wilson	MATL:	Wilson	TOLERANCE	Mason	DATE	03.11.2010
APPD:	Schumi			FINISH	Jamy		Sheet No.	2 from 3	



Soldering Profile Curve

Classification Reflow Profile (JEDEC J-STD-020C)



SMT MINI USB 5Pos.	
Part No.:	T64022
Customer:	

DRW:	Jason	CHKD	Wilson	MATL:	Wilson	TOLERANCE	Mason	DATE	03.11.2010
APPD:	Schumi			FINISH	Jamy		Sheet No.	3 from 3	