

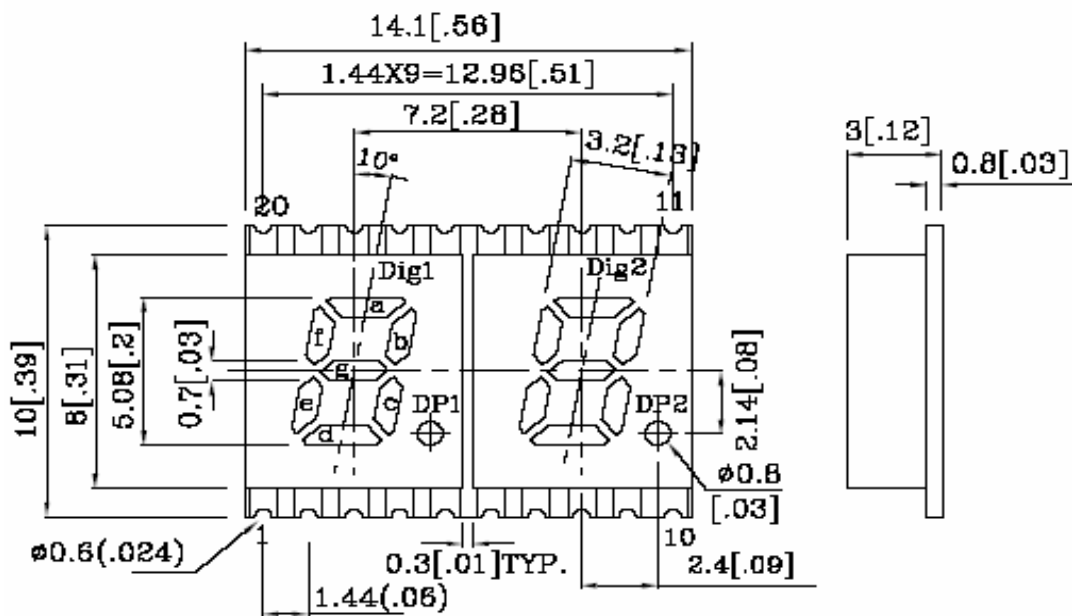
# EDCON-COMPONENTS



The Power of LED Light



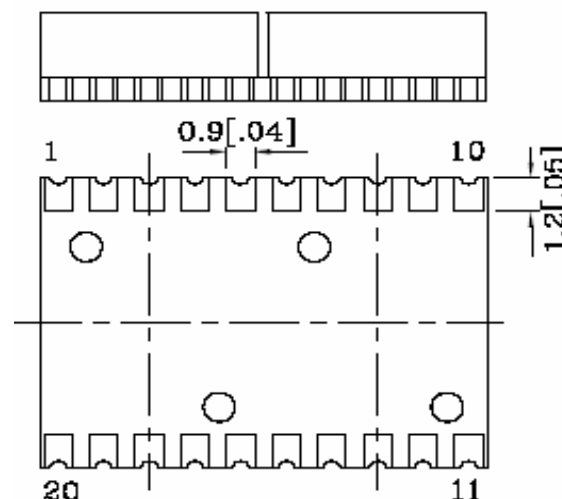
## Dimensions / Informations



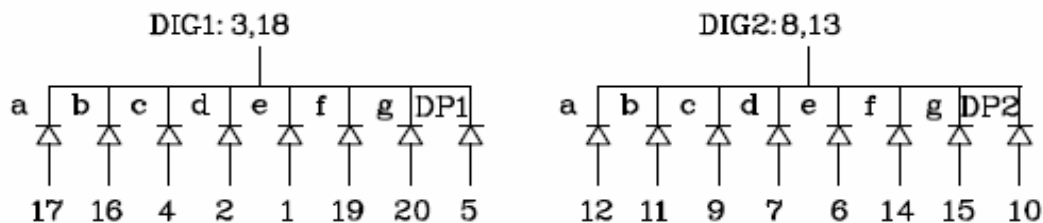
## Features

- Low Current Operation
- Excellent Character appearance
- Easy mounting on P.C. Board or Sockets
- Standard High Brightness
- Mechanical Rugged
- Gray Face / White Segment
- Moisture Sensitivity Level: Level 4

All Dimensions are in millimeters (inches).  
Tolerance is +/- 0,25 (0,01") unless otherwise specified.  
Specifications are subject to change without notice.



## Diode Drive Construction



**SMT Segment Display Digit  
Height 5,08mm**

Part No.: **M21C2014**

Customer:

|       |        |      |        |        |        |           |           |      |            |
|-------|--------|------|--------|--------|--------|-----------|-----------|------|------------|
| DRW:  | Jason  | CHKD | Wilson | MATL:  | Wilson | TOLERANCE | Mason     | DATE | 30.09.2010 |
| APPD: | Schumi |      |        | FINISH | Jamy   |           | Sheet No. |      | 1 from 7   |

# EDCON-COMPONENTS

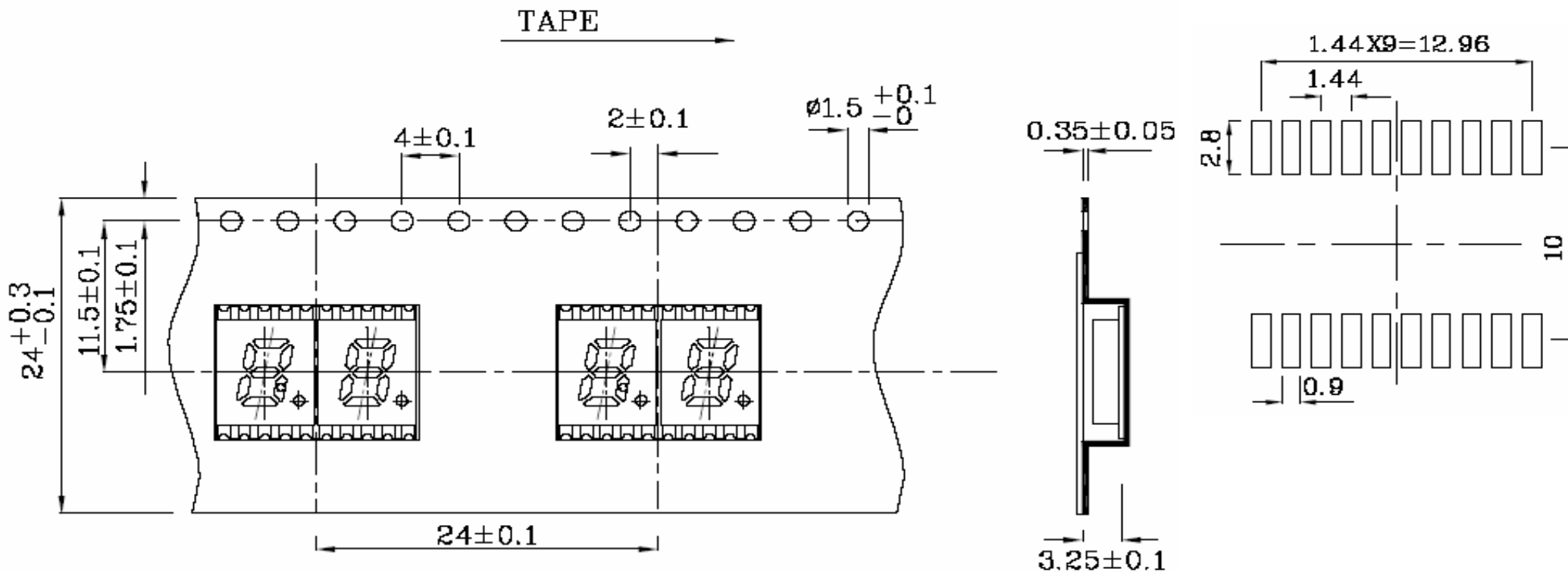


The Power of LED Light



## Tape specifications

## P.C.B. Layout



**SMT Segment Display Digit  
Height 5,08mm**

Part No.: **M21C2014**

|       |        |      |        |        |        |           |           |          |            |
|-------|--------|------|--------|--------|--------|-----------|-----------|----------|------------|
| DRW:  | Jason  | CHKD | Wilson | MATL:  | Wilson | TOLERANCE | Mason     | DATE     | 30.09.2010 |
| APPD: | Schumi |      |        | FINISH | Jamy   |           | Sheet No. | 2 from 7 | Customer:  |

# EDCON-COMPONENTS



The Power of LED Light



## Description

| Part Number | Emitting Color | Emitting Material | Luminous Intensity<br>IF=10mA $\mu$ cd |       | Wavelength nm | Description                             |
|-------------|----------------|-------------------|--|-------|---------------|---|
|             |                |                   | min                                    | max,  |               |   |
| M21C2014    | Green          | InGaAlP           | 4700                                   | 25990 | 574           | Commun Cathode Right Hand Decimal Point |

| Operating Characteristics<br>(TA=25°C)                     |          | InGaAlP | Unit    |
|--|----------|---------|---------|
| Forward Voltage (typ).<br>(IF=10mA)                        | VF       | 2,00    | V       |
| Forward Voltage (typ).<br>(IF=10mA)                        | VF       | 2,5     | V       |
| Reverse Current (Max.)<br>(Vr=5V)                          | IR       | 10      | $\mu$ A |
| Wavelength of Peak<br>Emission (typ. If=10mA)              | P        | 574     | nm      |
| Wavelength / Dominant<br>Emission (typ. If=10mA)           | D        | 570     | nm      |
| Spectral Line Full Width<br>at Half-Maximum (typ.<br>10mA) | $\Delta$ | 20      | nm      |
| Capacitance (typ) (Vf=0V,<br>f=1Mhz)                       | C        | 15      | pF      |

| Absolute Maximum Ratings<br>(TA=25°C)                         |      | InGaAlP   | Unit |
|---|------|-----------|------|
| Reverse Voltage   | VF   | 5         | V    |
| Forward Current   | IF   | 30        | mA   |
| Forward Current (peak)<br>1/10Duty Cycle 0,1ms<br>Pulse Width | iFS  | 150       | mA   |
| Power Dissipation   | PT   | 75        | mW   |
| Operating Temperature   | TA   | -.40 ~+85 | °C   |
| Storage Temperature   | Tstg | -.40 ~+85 |      |

**SMT Segment Display Digit  
Height 5,08mm**

Part No.: **M21C2014**

|       |        |      |        |        |        |           |           |          |            |           |
|-------|--------|------|--------|--------|--------|-----------|-----------|----------|------------|-----------|
| DRW:  | Jason  | CHKD | Wilson | MATL:  | Wilson | TOLERANCE | Mason     | DATE     | 30.09.2010 | Customer: |
| APPD: | Schumi |      |        | FINISH | Jamy   |           | Sheet No. | 3 from 7 |            |           |

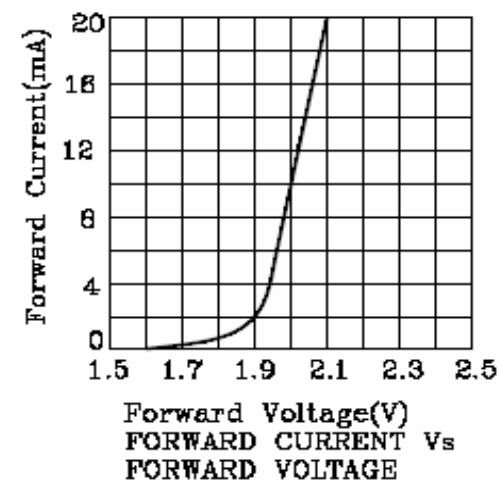
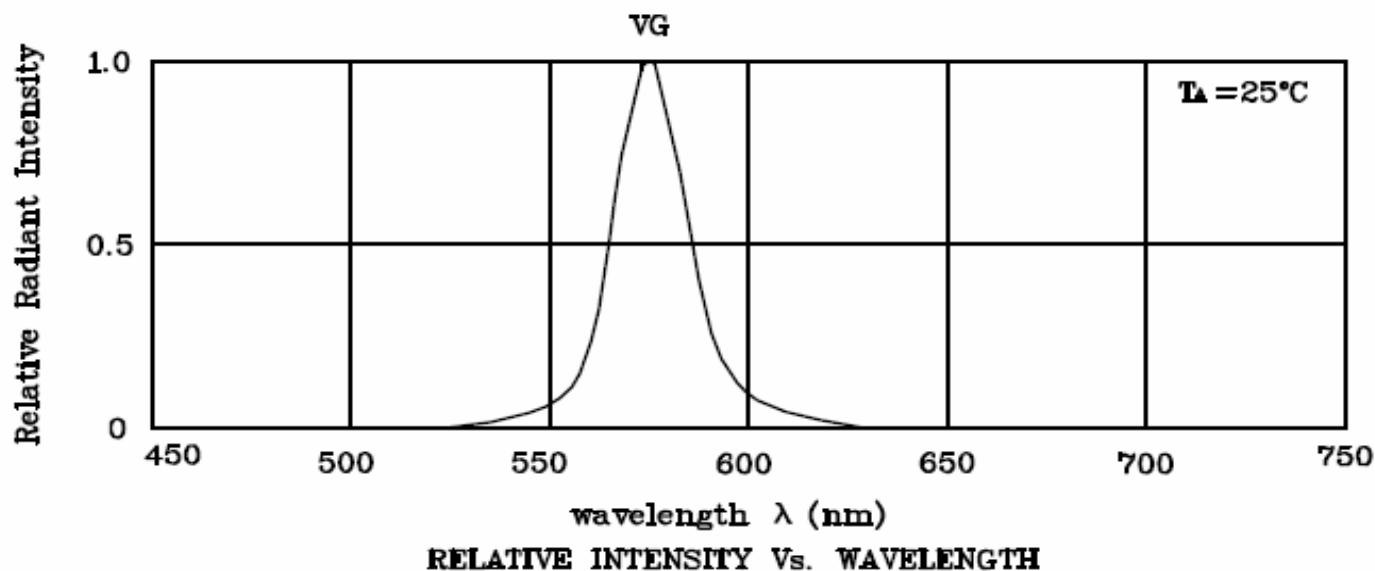
# EDCON-COMPONENTS



The Power of LED Light



## Characteristics



**SMT Segment Display Digit  
Height 5,08mm**

Part No.: **M21C2014**

Customer:

|       |        |      |        |        |        |           |           |          |            |
|-------|--------|------|--------|--------|--------|-----------|-----------|----------|------------|
| DRW:  | Jason  | CHKD | Wilson | MATL:  | Wilson | TOLERANCE | Mason     | DATE     | 30.09.2010 |
| APPD: | Schumi |      |        | FINISH | Jamy   |           | Sheet No. | 4 from 7 |            |

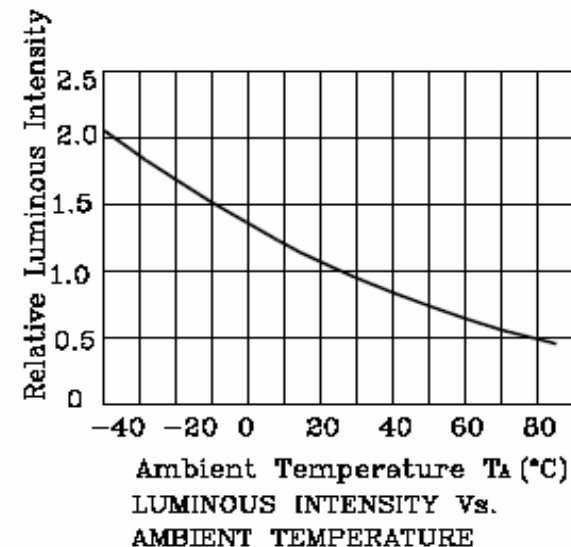
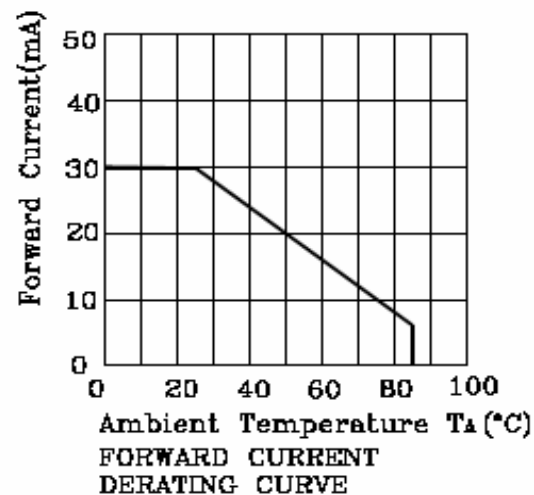
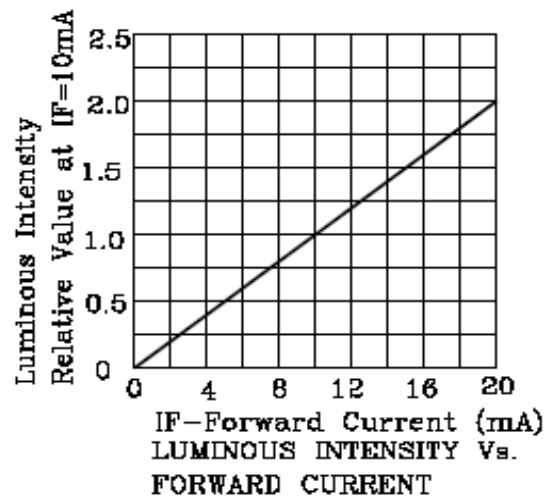
# EDCON-COMPONENTS



The Power of LED Light



## Characteristics



If special sorting is required (e.g. binning based on forward voltage, Luminous intensity /luminous flux, or wavelength).

the typical accuracy of the sorting process is as follows.

Wavelength: +/-1nm

Luminous Intensity / Luminous Flux: +/- 15%

Forward Voltage: +/-0,1V

Note: Accuracy may depend on the sorting parameters.

**SMT Segment Display Digit  
Height 5,08mm**

Part No.: **M21C2014**

Customer:

|       |        |      |        |        |        |           |           |          |            |
|-------|--------|------|--------|--------|--------|-----------|-----------|----------|------------|
| DRW:  | Jason  | CHKD | Wilson | MATL:  | Wilson | TOLERANCE | Mason     | DATE     | 30.09.2010 |
| APPD: | Schumi |      |        | FINISH | Jamy   |           | Sheet No. | 5 from 7 |            |

# EDCON-COMPONENTS



The Power of LED Light



## Ordering Informations

| Serie           | Digit Height Code | Quantity of Digits | Model Number | Diode Drive Code | Emitting Color (nm) | Surface Color Code | Segment Color Code | No Function | ROHS     | Package   |
|-----------------|-------------------|--------------------|--------------|------------------|---------------------|--------------------|--------------------|-------------|----------|-----------|
| <b>M21C2014</b> | <b>21</b>         | <b>2</b>           | <b>1</b>     | <b>C</b>         | <b>574</b>          | <b>2</b>           | <b>1</b>           | <b>XX</b>   | <b>R</b> | <b>TR</b> |

|                                   |                       |                           |                           |
|-----------------------------------|-----------------------|---------------------------|---------------------------|
| <b>21</b> = 0,21" Digit Dimension | <b>2</b> = Dual Digit | <b>1</b> = Model Number 1 |                           |
|                                   |                       |                           | <b>C</b> = Commun Cathode |

|                         |                           |                         |  |                               |
|-------------------------|---------------------------|-------------------------|--|-------------------------------|
| <b>2</b> = Gray Surface | <b>1</b> = White Diffused | <b>XX</b> = No function | <b>R</b> = ROHS conform<br><b>N</b> = NON ROHS conform | <b>TR</b> = Tape Reel Packing |
|-------------------------|---------------------------|-------------------------|--|-------------------------------|

**SMT Segment Display Digit Height 5,08mm**

Part No.: **M21C2014**

|       |        |      |        |        |        |           |           |          |            |           |
|-------|--------|------|--------|--------|--------|-----------|-----------|----------|------------|-----------|
| DRW:  | Jason  | CHKD | Wilson | MATL:  | Wilson | TOLERANCE | Mason     | DATE     | 30.09.2010 | Customer: |
| APPD: | Schumi |      |        | FINISH | Jamy   |           | Sheet No. | 6 from 7 |            |           |



The Power of LED Light



Soldering Profile Curve

Classification Reflow Profile (JEDEC J-STD-020C)



**SMT Segment Display Digit  
Height 5,08mm**

Part No.: **M21C2014**

Customer:

|       |        |      |        |        |        |           |           |          |            |
|-------|--------|------|--------|--------|--------|-----------|-----------|----------|------------|
| DRW:  | Jason  | CHKD | Wilson | MATL:  | Wilson | TOLERANCE | Mason     | DATE     | 30.09.2010 |
| APPD: | Schumi |      |        | FINISH | Jamy   |           | Sheet No. | 7 from 7 |            |