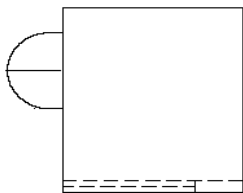


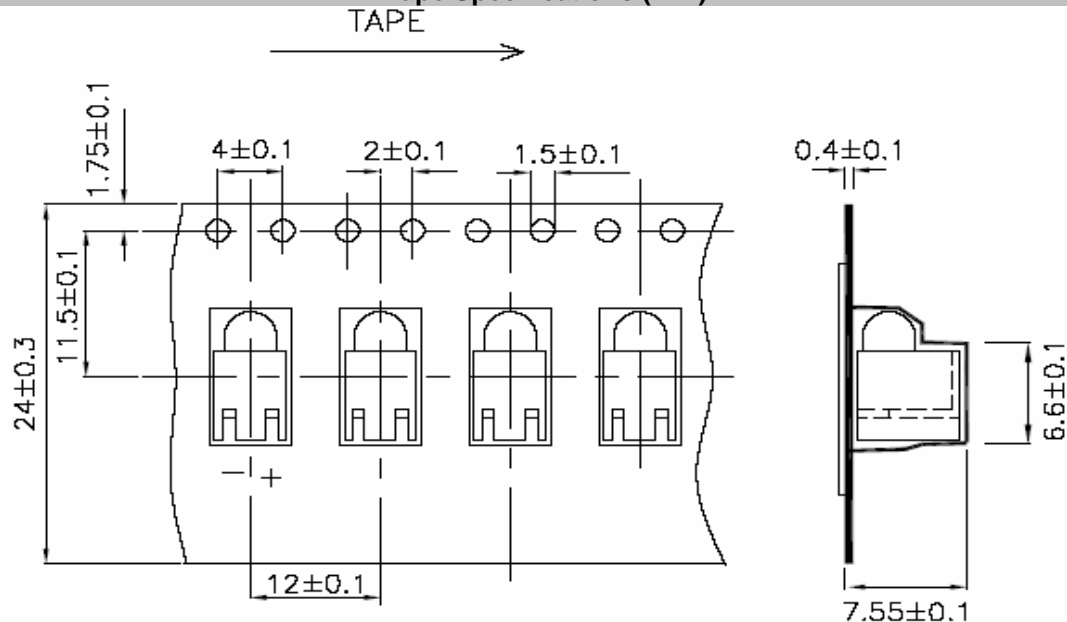
EDCON-COMPONENTS



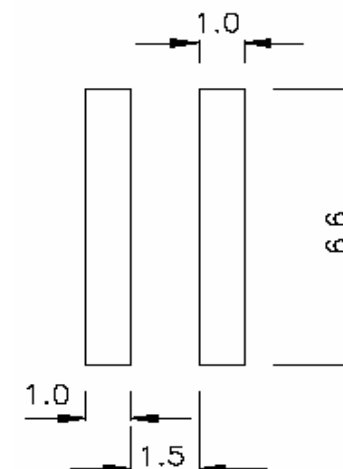
Features

- Pre-Trimed Leads for PC Mounting
- Can be assembled with each other
- I.C. compatible
- Black case enhances contrast ratio
- Wide Viewing angle
- High Reliability life measured in years
- Housing Material: PPA
- Package: 1000PCS/Reel
- High Temperature Resistant Housing
- High Class Transfer Temperature Epoxy

Tape Specifications (mm)



P.C.B. Pad Dimensions



SMD LED-HOLDER

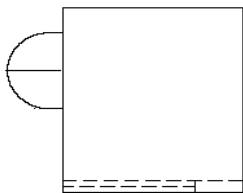
Part No.: **M19003**

Customer:

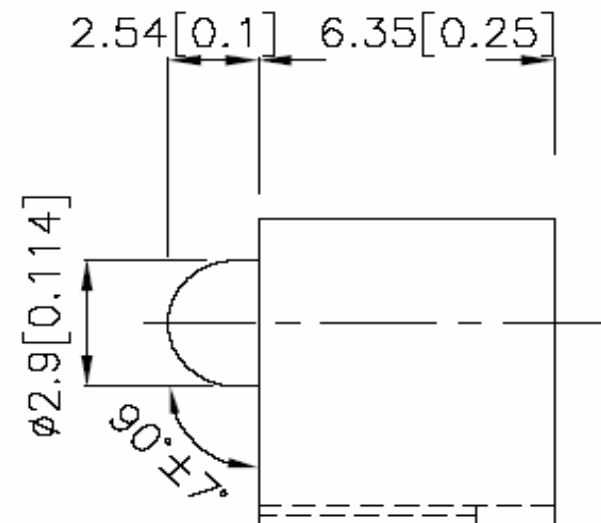
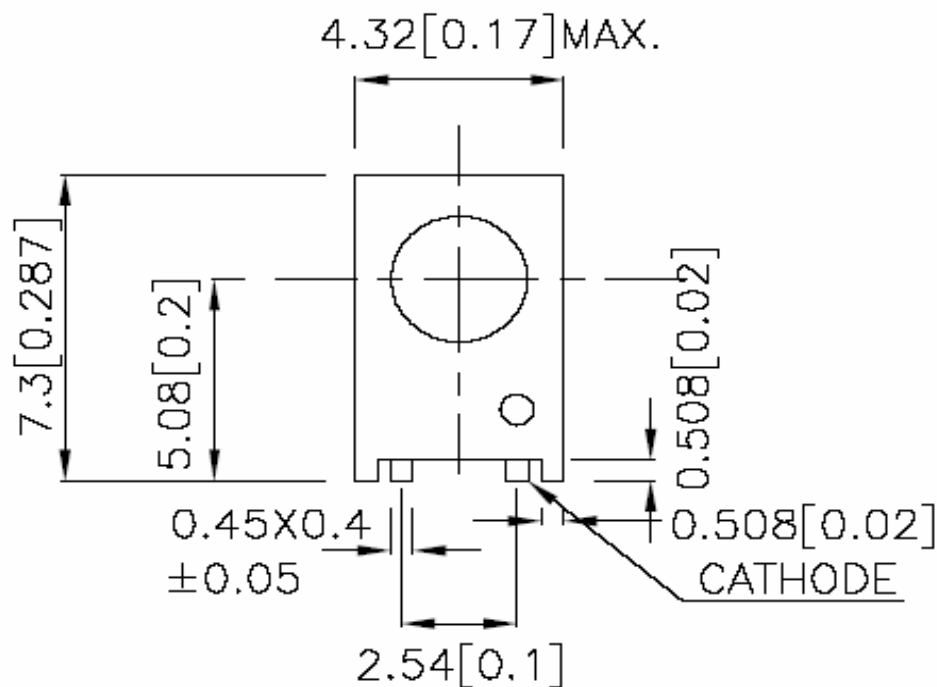
DRW:	Jason	CHKD	Wilson	MATL:	Wilson	TOLERANCE	Mason	DATE	20.09.2010
APPD:	Schumi			FINISH	Jamy		Sheet No.	1 from 4	

www.edcon-components.com

email: info@edcon-components.com



Technical Drawing

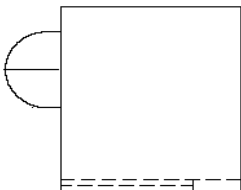


All Dimensions are in millimeters (inches)
 Toleranced is 0,25 (0,01) unless otherwise noted
 Specifications are subject to change without notice

SMD LED-HOLDER	
Part No.:	M19003
Customer:	

DRW:	Jason	CHKD:	Wilson	MATL:	Wilson	TOLERANCE:	Mason	DATE:	20.09.2010
APPD:	Schumi			FINISH:	Jamy		Sheet No.		2 from 4

EDCON-COMPONENTS



Ordering Informations

Serie	Emitting Color	ROHS	Package						
M19003	RD	R	TR						

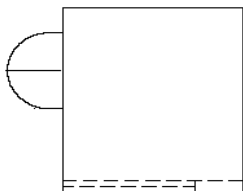
RD= Red	R= ROHS Conform	TR= Tape Reel
GN= Green	N= NON ROHS	
YE= Yellow		
BL= Blue		
WH= White		

LED Informations						
Emmiting Color of LED	Lens Type	Iv (mcd)		Wavelength (nm)	Viewing Angle	Test Conditions
		min	typ			
Red	diffused	25	60	660	60°	20mA
Green	diffused	8	15	565	60°	20mA
Yellow	diffused	25	45	590	60°	20mA
Blue	diffused	50	100	470	60°	20mA
White	diffused	100	200		60°	20mA

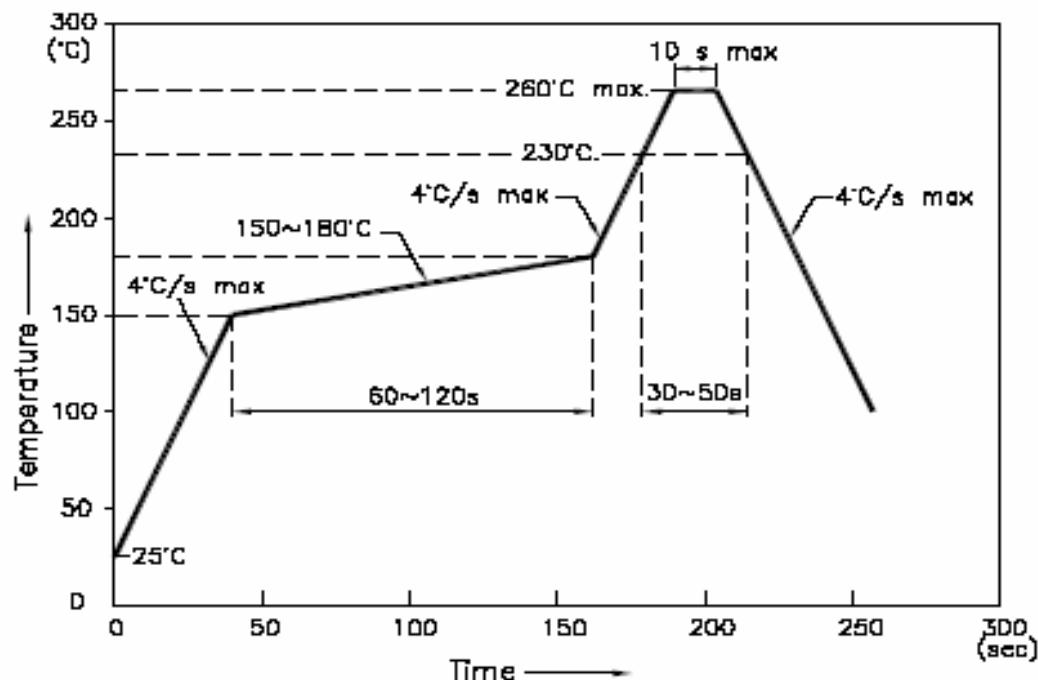
If special sorting is required (e.g. binning based on forward voltage, Luminous intensity luminous flux, or wavelength the typical accuracy of the sorting process is as follows.
 Wavelength: +/- 2nm
 Luminous intensity / luminous flux +/- 15%
 Forward Voltage: +/- 0,1Volt

SMD LED-HOLDER
Part No.: M19003
Customer:

DRW:	Jason	CHKD	Wilson	MATL:	Wilson	TOLERANCE	Mason	DATE	20.09.2010
APPD:	Schumi			FINISH	Jamy		Sheet No.		3 from 4



Soldering Profile Curve



NOTES:

1. We recommend the reflow temperature 245°C(+/-5°C). The maximum soldering temperature should be limited to 260°C.
2. Don't cause stress to the epoxy resin while it is exposed to high temperature.
3. Number of reflow process shall be 2 times or less.

SMD LED-HOLDER	
Part No.:	M19003
Customer:	

DRW:	Jason	CHKD	Wilson	MATL:	Wilson	TOLERANCE	Mason	DATE	20.09.2010
APPD:	Schumi			FINISH	Jamy		Sheet No.	4 from 4	