

EDCON-COMPONENTS



Specifications

Dimensions: 15,70x16,80x2,40mm
 Weight: Approx 1,15g.
 Contact Principle: Friction Technology
 Mounting System: SMT Type (Post Optional)
 Function: Push/Push Technology
 Lifetime: 10000cycles min.

Card Detecting Switch State: Normally Open
 Contact Resistance: 50mΩ Typical, 100mΩ Max.
 Insulation Resistance: > 1000MΩ Min / 500VDC
 Rated Current: 0,5A max.
 Rated Voltage: 30V AC
 Withstanding Dielectric Voltage: 500V AC RMS for 1 Minute

Solderability:

Vapor Phase: 215°C for 30Sec.
 IR Reflow: 260° for 10Sec.
 Manual Soldering: 360°C for 3 Sec.

Material

Insulation Material: Thermoplastic UL94V-0
 Contact Material: Phosphr Bronze
 Contact Plating: Gold PD over Nickel

Characteristics

Operating Temperature: . -40°C ~ +85°C
 Operating Humidity: 10% ~ 95%
 Storage Temperature: . -40°C ~ +85°C
 Storage Humidity: 10% ~ 95%
 Damp Heat: 40°C, 90% RG, 500HR
 Salt-Mist: 35°C, 5% NaCL, 48H

SIM CARD Connector

Part No.: **T60017**

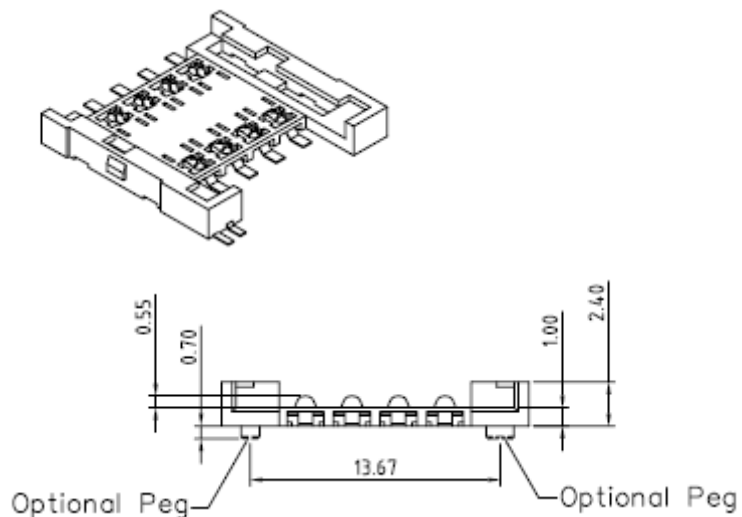
Customer:

DRW:	Jason	CHKD	Wilson	MATL:	Wilson	TOLERANCE	Mason	DATE	10.04.2009
APPD:	Schumi			FINISH	Jamy		Sheet No.		1 from 4

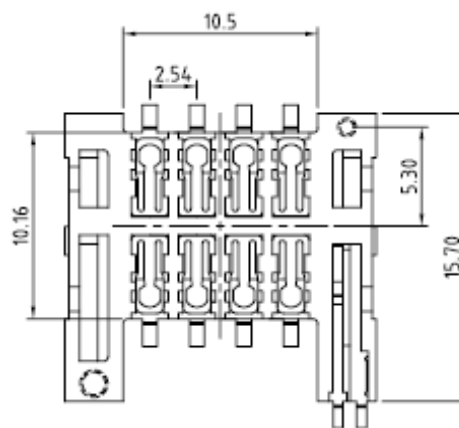
EDCON-COMPONENTS



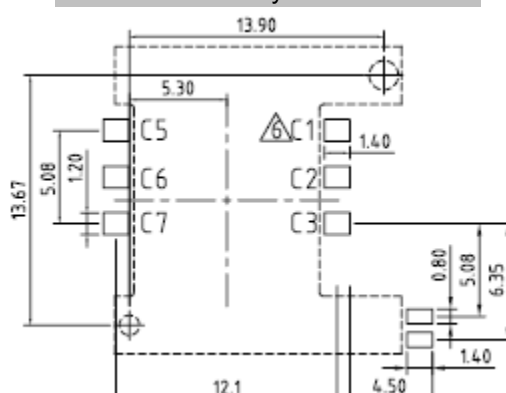
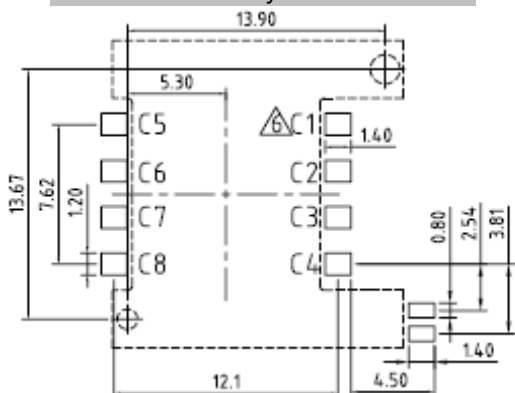
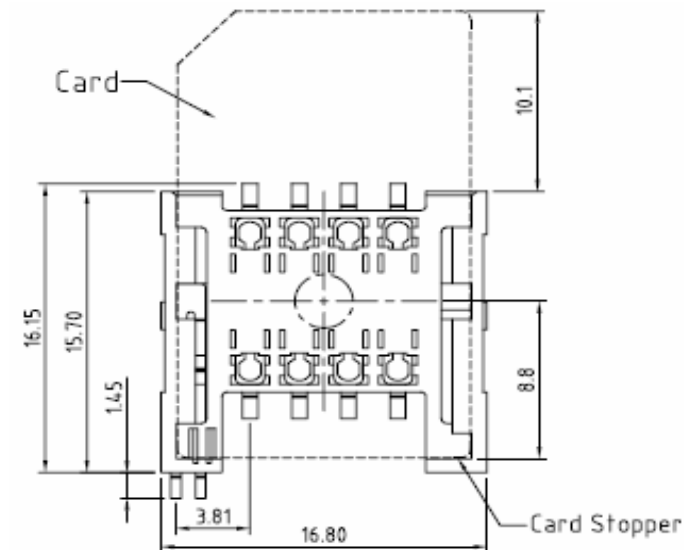
Technical Drawing



P.C.B. Layout 6Pin



P.C.B. Layout 8Pin



SIM CARD Connector

Part No.: **T60017**

DRW:	Jason	CHKD	Wilson	MATL:	Wilson	TOLERANCE	Mason	DATE	10.04.2009
APPD:	Schumi			FINISH	Jamy			Sheet No.	2 from 4

Customer: email: info@edcon-components.com

www.edcon-components.com

EDCON-COMPONENTS



Ordering Informations

Serie	Number of Contacts	Switch	Location Peg	Packing						
T60017	6	Y	A	TU						

6= 6 contacts	Y= with Switch	A= with Peg (Standard)	TU= Tube Packing
8= 8 contacts	N= without Switch	B= w/o Peg (Non-Standard)	TR Tape Reel

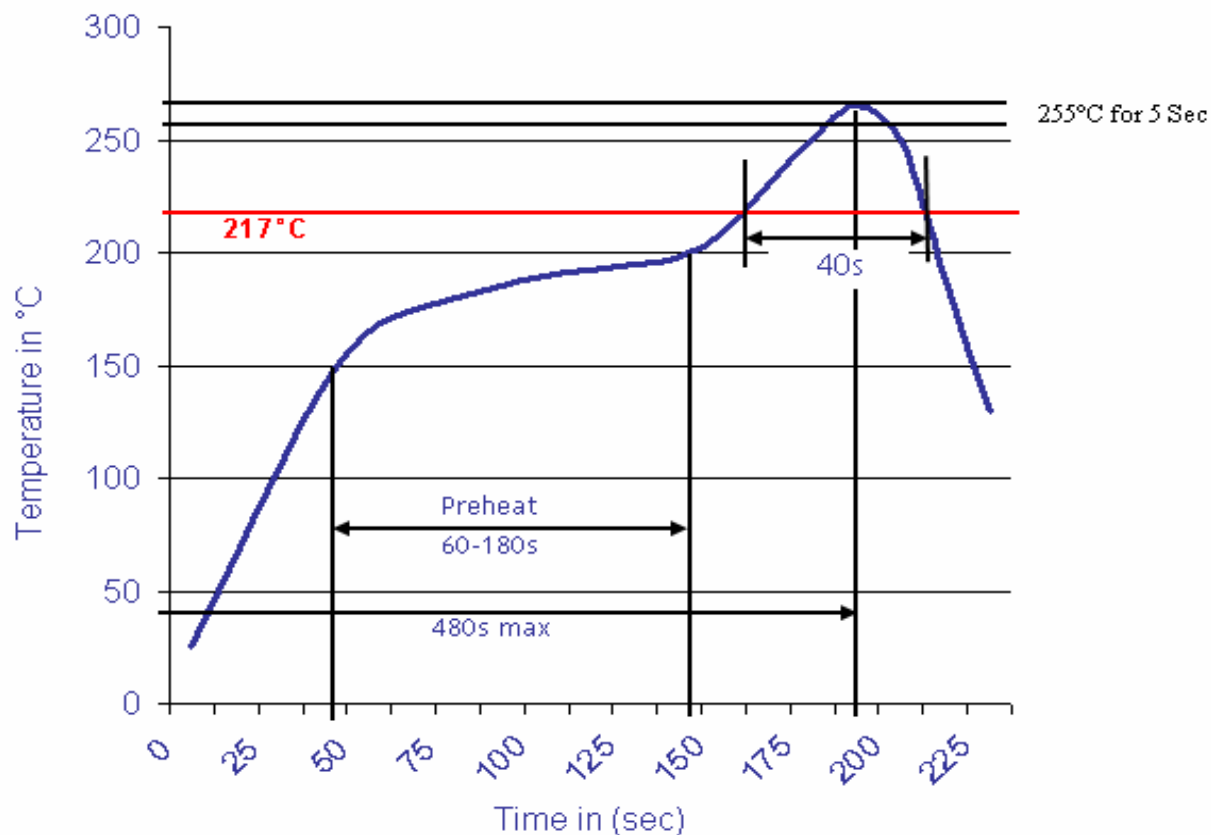
SIM CARD Connector
Part No.: T60017
Customer:

DRW:	Jason	CHKD	Wilson	MATL:	Wilson	TOLERANCE	Mason	DATE	10.04.2009
APPD:	Schumi			FINISH	Jamy		Sheet No.		3 from 4



Soldering Profile Curve

Classification Reflow Profile (JEDEC J-STD-020C)



SIM CARD Connector	
Part No.:	T60017
Customer:	

DRW:	Jason	CHKD	Wilson	MATL:	Wilson	TOLERANCE	Mason	DATE	10.04.2009
APPD:	Schumi			FINISH	Jamy		Sheet No.	4 from 4	