

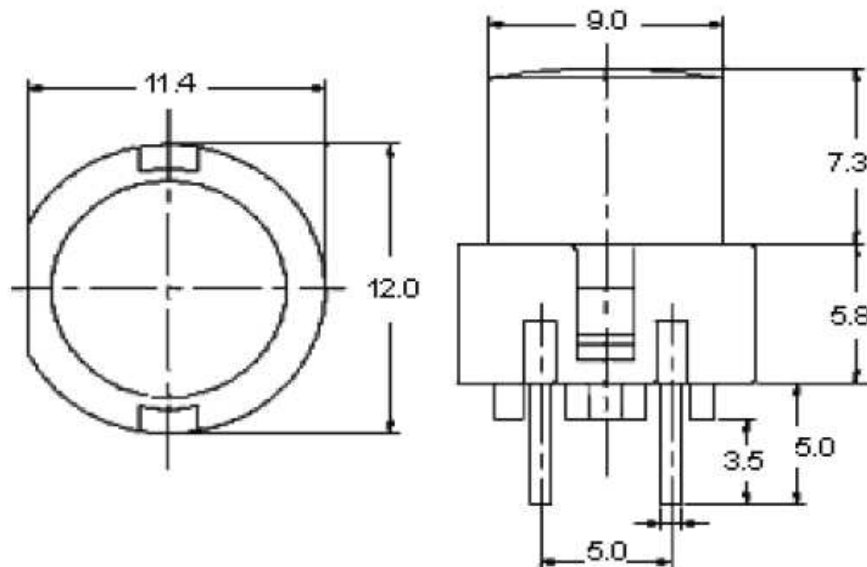
EDCON-COMPONENTS



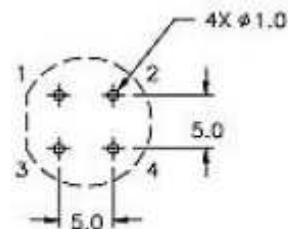
SPECIFICATION:

Current Rating:	DC35V / 10mA
Insulator Resistance:	100 Mega Ω min.
Contact Resistance:	50 m Ω max.
Travel:	0,80 / +/- 0,1mm
Operating Temperature:	.-10°C to +60°C
Lifetime:	look order code
Operating Force:	look order code
Base Material	PBT
Button Material	PC
Contact	Silver Plated
Function	Momentary
Solvent Washing	Non-Washable

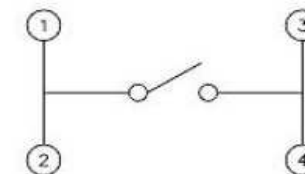
Drawing



PCB Layout



Circuit Diagram



TACT SWITCH THT

Part No.: **Q11059**

Customer:

DRW:	Jason	CHKD	Wilson	MATL:	Wilson	TOLERANCE	Mason	DATE	10.07.2010
APPD:	Schumi			FINISH	Jamy		Sheet No.		1 from 3

EDCON-COMPONENTS



Ordering Informations

Serie	Total length (L)	Color of Switch	Operating Force	Function	Electrical life	Function	ROHS	Packing		
Q11059	073	RD	131	N	104	N	R	BU100		
	073= 7,3mm	RD= Red YE= Yellow GN= Green BK= Black BL= Blue DG= Dark Gray LG= Light Gray WH= White	131 = 130gr	N= No function	104= 100000 cycles by 130gr. O-Force	N= No function	N= non ROHS R= ROHS conform	BU= Bulk Ware 100PCS		

TACT SWITCH THT

Part No.: **Q11059**

DRW:	Jason	CHKD	Wilson	MATL:	Wilson	TOLERANCE	Mason	DATE	10.07.2010
APPD:	Schumi			FINISH	Jamy		Sheet No.	2 from 3	

Customer:



Soldering Profile for Lead Free Soldering

Classification Reflow Profile (JEDEC J-STD-020C)



TACT SWITCH THT

Part No.: **Q11059**

DRW:	Jason	CHKD	Wilson	MATL:	Wilson	TOLERANCE	Mason	DATE	10.07.2010
APPD:	Schumi			FINISH	Jamy		Sheet No.	3 from 3	Customer: