

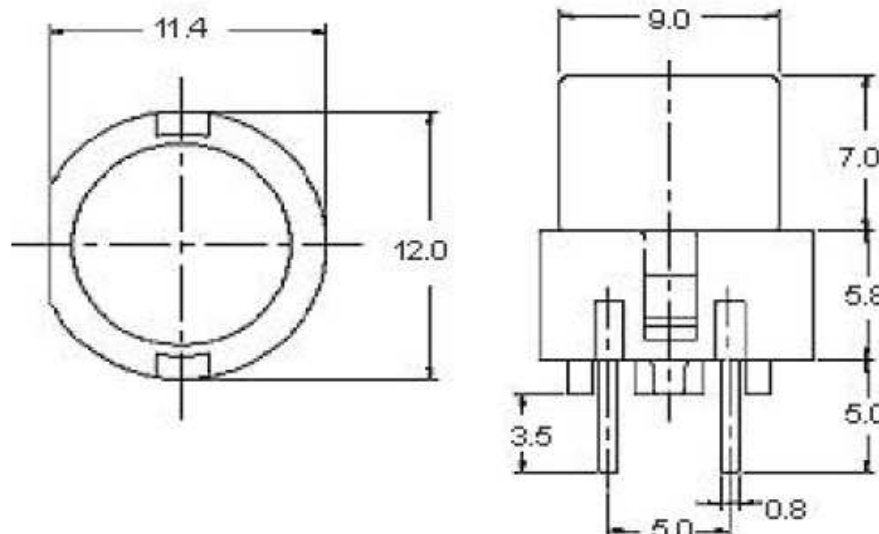
# EDCON-COMPONENTS



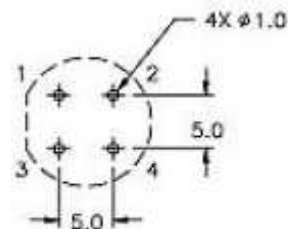
## SPECIFICATION:

|                        |                        |
|------------------------|------------------------|
| Current Rating:        | DC35V / 10mA           |
| Insulator Resistance:  | 100 Mega $\Omega$ min. |
| Contact Resistance:    | 50 m $\Omega$ max.     |
| Travel:                | 0,80 / +/- 0,1mm       |
| Operating Temperature: | .-10°C to +60°C        |
| Lifetime:              | look order code        |
| Operating Force:       | look order code        |
| Base Material          | PBT                    |
| Button Material        | PC                     |
| Contact                | Silver Plated          |
| Function               | Momentary              |
| Solvent Washing        | Non-Washable           |

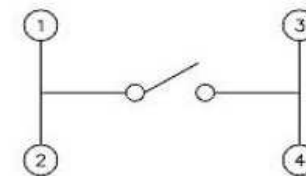
## Drawing



## PCB Layout



## Circuit Diagram



## TACT SWITCH THT

Part No.: **Q11058**

Customer:

|       |        |      |        |        |        |           |           |          |            |
|-------|--------|------|--------|--------|--------|-----------|-----------|----------|------------|
| DRW:  | Jason  | CHKD | Wilson | MATL:  | Wilson | TOLERANCE | Mason     | DATE     | 10.07.2010 |
| APPD: | Schumi |      |        | FINISH | Jamy   |           | Sheet No. | 1 from 3 |            |

# EDCON-COMPONENTS



## Ordering Informations

| Serie         | Total length (L) | Color of Switch   | Operating Force | Function       | Electrical life                      | Function       | ROHS                           | Packing              |  |  |
|---------------|------------------|---|-----------------|----------------|--------------------------------------|----------------|--------------------------------|----------------------|--|--|
| <b>Q11058</b> | <b>070</b>       | <b>RD</b>   | <b>131</b>      | <b>N</b>       | <b>104</b>                           | <b>N</b>       | <b>R</b>                       | <b>BU100</b>         |  |  |
|               | 070= 7,0mm       | RD= Red<br>YE= Yellow<br>GN= Green<br>BK= Black<br>BL= Blue<br>DG= Dark Gray<br>LG= Light Gray<br>WH= White | 131 = 130gr     | N= No function | 104= 100000 cycles by 130gr. O-Force | N= No function | N= non ROHS<br>R= ROHS conform | BU= Bulk Ware 100PCS |  |  |

**TACT SWITCH THT**

Part No.: **Q11058**

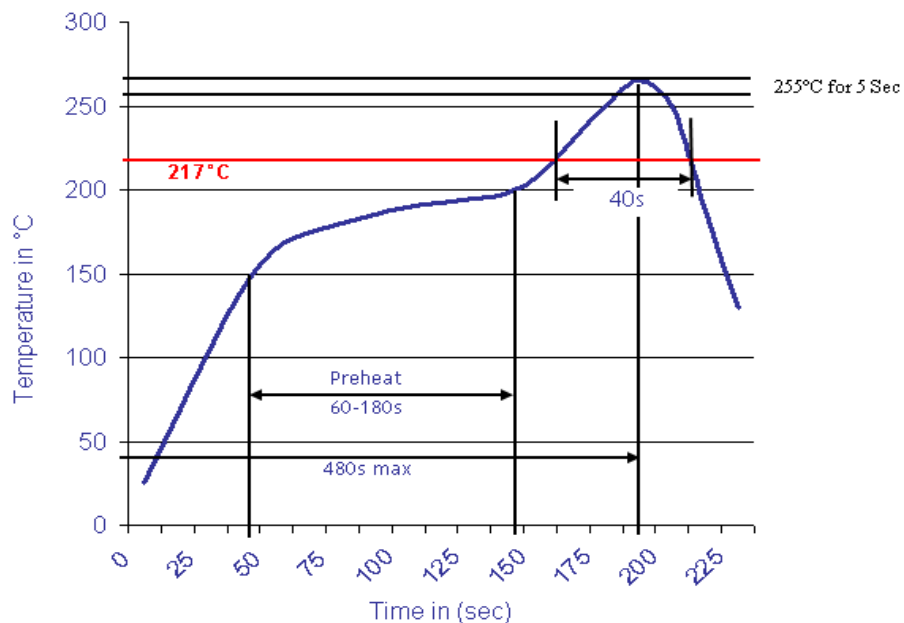
|       |        |      |        |        |        |           |       |           |            |
|-------|--------|------|--------|--------|--------|-----------|-------|-----------|------------|
| DRW:  | Jason  | CHKD | Wilson | MATL:  | Wilson | TOLERANCE | Mason | DATE      | 10.07.2010 |
| APPD: | Schumi |      |        | FINISH | Jamy   |           |       | Sheet No. | 2 from 3   |

Customer:



**Soldering Profile for Lead Free Soldering**

Classification Reflow Profile (JEDEC J-STD-020C)



**TACT SWITCH THT**

Part No.: **Q11058**

|       |        |      |        |        |        |           |           |          |            |
|-------|--------|------|--------|--------|--------|-----------|-----------|----------|------------|
| DRW:  | Jason  | CHKD | Wilson | MATL:  | Wilson | TOLERANCE | Mason     | DATE     | 10.07.2010 |
| APPD: | Schumi |      |        | FINISH | Jamy   |           | Sheet No. | 3 from 3 | Customer:  |