

EDCON-COMPONENTS



Specifications

Features

Plastic Package has Underwriters Laboratory Flamability Classification 94V-0
 This Serie is UL listed under Recognized Component Index file number E252843
 High surge current capability

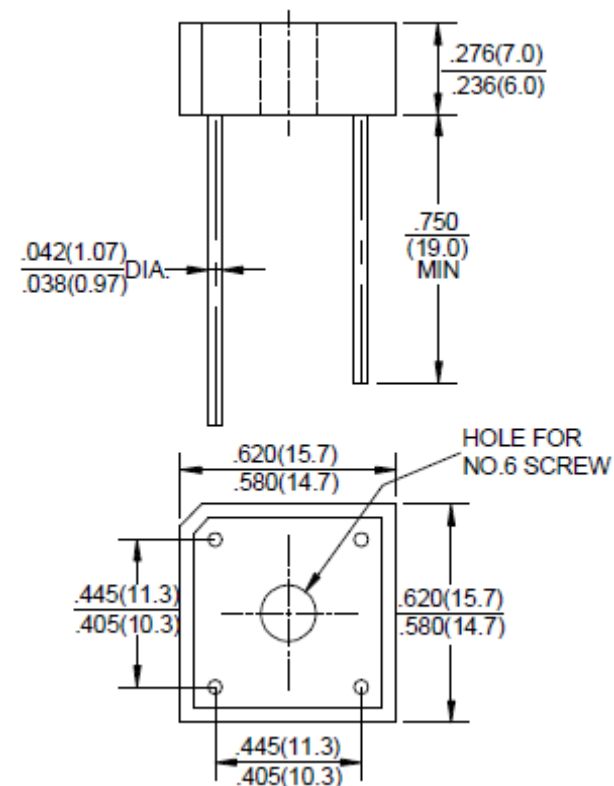
Mechanical Data

Case: Molded plastic body
 Terminals: plated leads solderable per MIL-STD-750, Method 2026
 Polarity: Polarity symbols marked on body
 Weight: 7,0gr.

Maximum Ratings & Electrical Characteristics Ratings at 25°C ambient temperature

	Sym bols	KBPC 10005	KBPC 1001	KBPC 1002	KBPC 1004	KBPC 1006	KBPC 1008	KBPC 1010	Unit
Maximum reeurrent peak reverse Voltage	VRRM	50	100	200	400	600	800	1000	Volt
Maximum rms Input voltage	VRMS	35	70	140	280	420	560	700	Volt
Maximum dc blocking Voltage	VDC	50	100	200	400	600	800	1000	Volt
Maximum average forward output rectified TA=100°C	I(AV)	10,0							Amps
Peak forward surge current 8,3ms single half sine-wave	IFSM	240							Amps
Maximum forward voltage	VF	1,10							Volt
Maximum revese voltage TA=25°C	IR	10							µA
Maximum revese voltage TA=125°C	IR	500							µA
Operating and storage temperature range	TJ TSTG	-55°C to + 150°C							°C

Technical Drawing (Unit: inch(mm))



QUAD Bridge Rectifier 10A

EDCON-Ser. **E19012**

International Serie: **KBPC10xx**

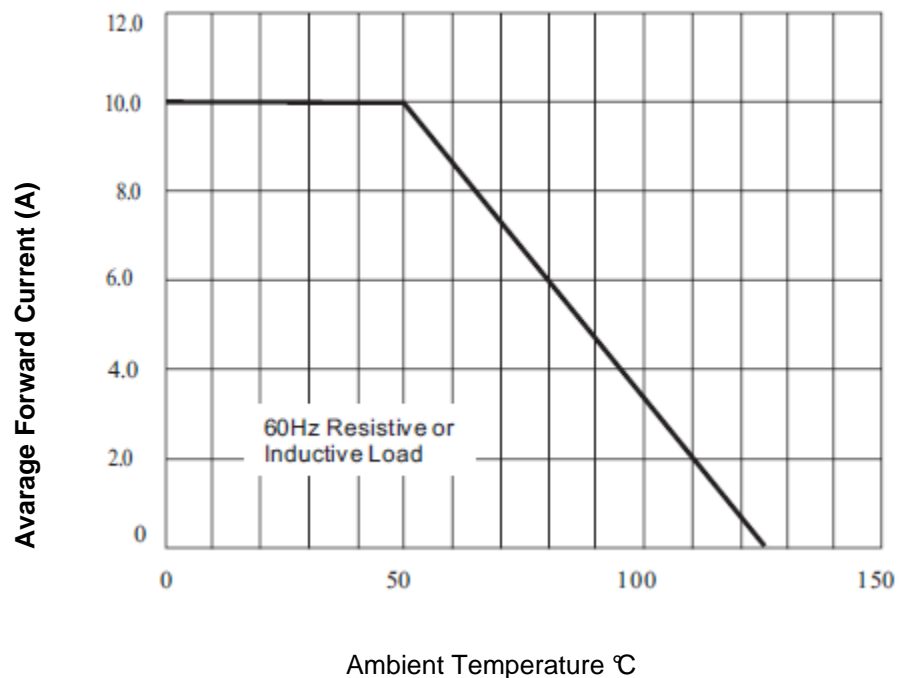
DRW:	Jason	CHKD	Wilson	MATL:	Wilson	TOLERANCE	Mason	DATE	10.05.2010
APPD:	Schumi			FINISH	Jamy		Sheet No.		1 from 5

EDCON-COMPONENTS

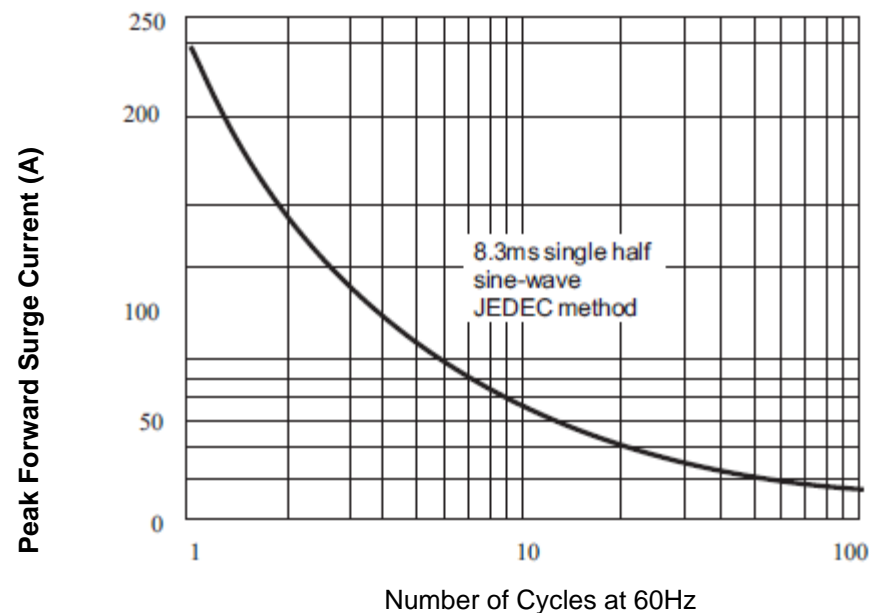


Rating & Characteristics Curves (TA=25°C unless otherwise noted)

Derating Curve for Output Rectified Current



Maximum NON Repetitive Forward Surge Current



QUAD Bridge Rectifier 10A

EDCON-Ser. **E19012**

International Serie: **KBPC10xx**

DRW:	Jason	CHKD	Wilson	MATL:	Wilson	TOLERANCE	Mason	DATE	10.05.2010
APPD:	Schumi			FINISH	Jamy		Sheet No.	2 from 5	

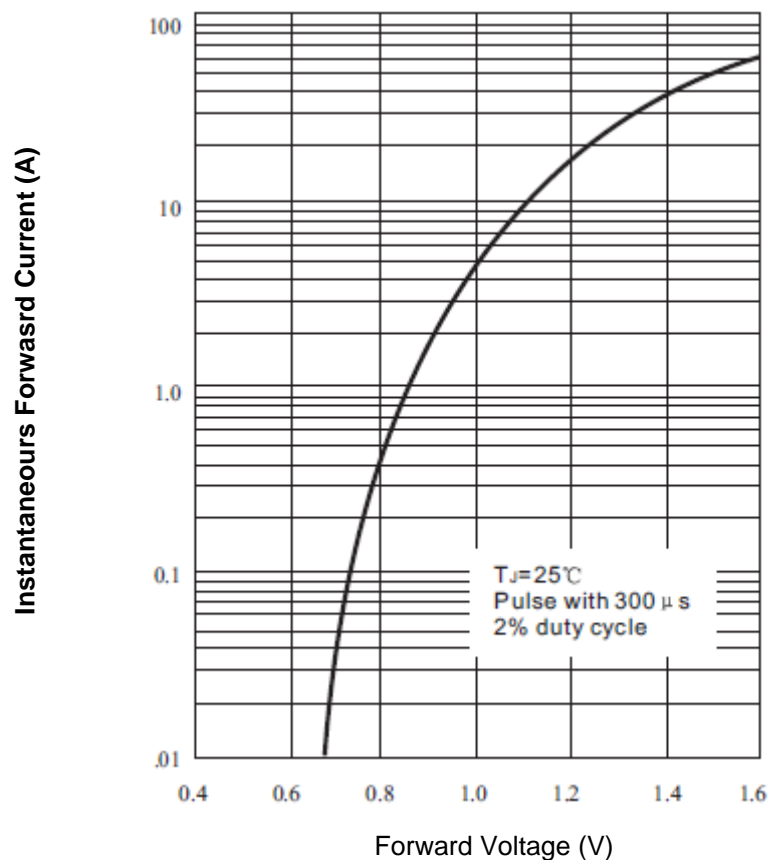
www.edcon-components.com

email: info@edcon-components.com

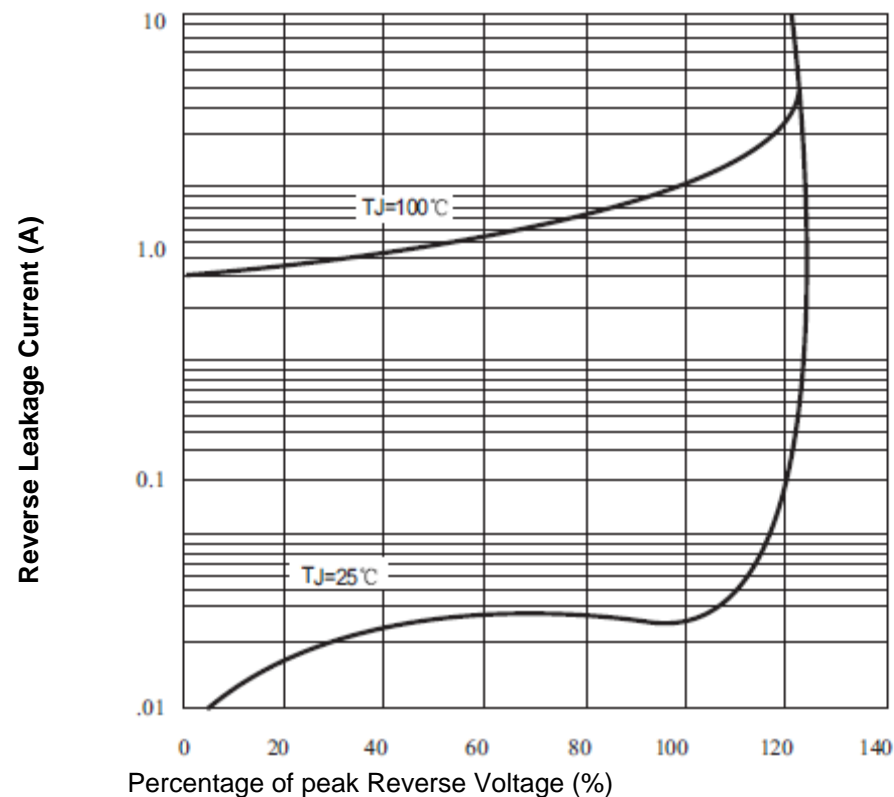


Rating & Characteristics Curves (TA=25°C unless otherwise noted)

Typical Forward Characteristics



Typical Reverse Characteristics



QUAD Bridge Rectifier 10A

EDCON-Ser. **E19012**

International Serie: **KBPC10xx**

DRW:	Jason	CHKD	Wilson	MATL:	Wilson	TOLERANCE	Mason	DATE	10.05.2010
APPD:	Schumi			FINISH	Jamy		Sheet No.	3 from 5	

EDCON-COMPONENTS



Rating & Characteristics Curves (TA=25°C unless otherwise noted)

Ordering Informations

EDCON Serie	International Type	NO function	ROHS	Package					
E19012	KBPC10xx	xx	R	BX					

Look Voltage Code Table		R= ROHS Conform	BX= Box
		N= NON ROHS Conform	

QUAD Bridge Rectifier 10A	
EDCON-Ser.	E19012
International Serie:	KBPC10xx

DRW:	Jason	CHKD	Wilson	MATL:	Wilson	TOLERANCE	Mason	DATE	10.05.2010
APPD:	Schumi			FINISH	Jamy		Sheet No.		4 from 5



Soldering Profile Curve

Classification Reflow Profile (JEDEC J-STD-020C)



QUAD Bridge Rectifier 10A

EDCON-Ser. **E19012**

International Serie: **KBPC10xx**

DRW:	Jason	CHKD	Wilson	MATL:	Wilson	TOLERANCE	Mason	DATE	10.05.2010
APPD:	Schumi			FINISH	Jamy		Sheet No.	5 from 5	